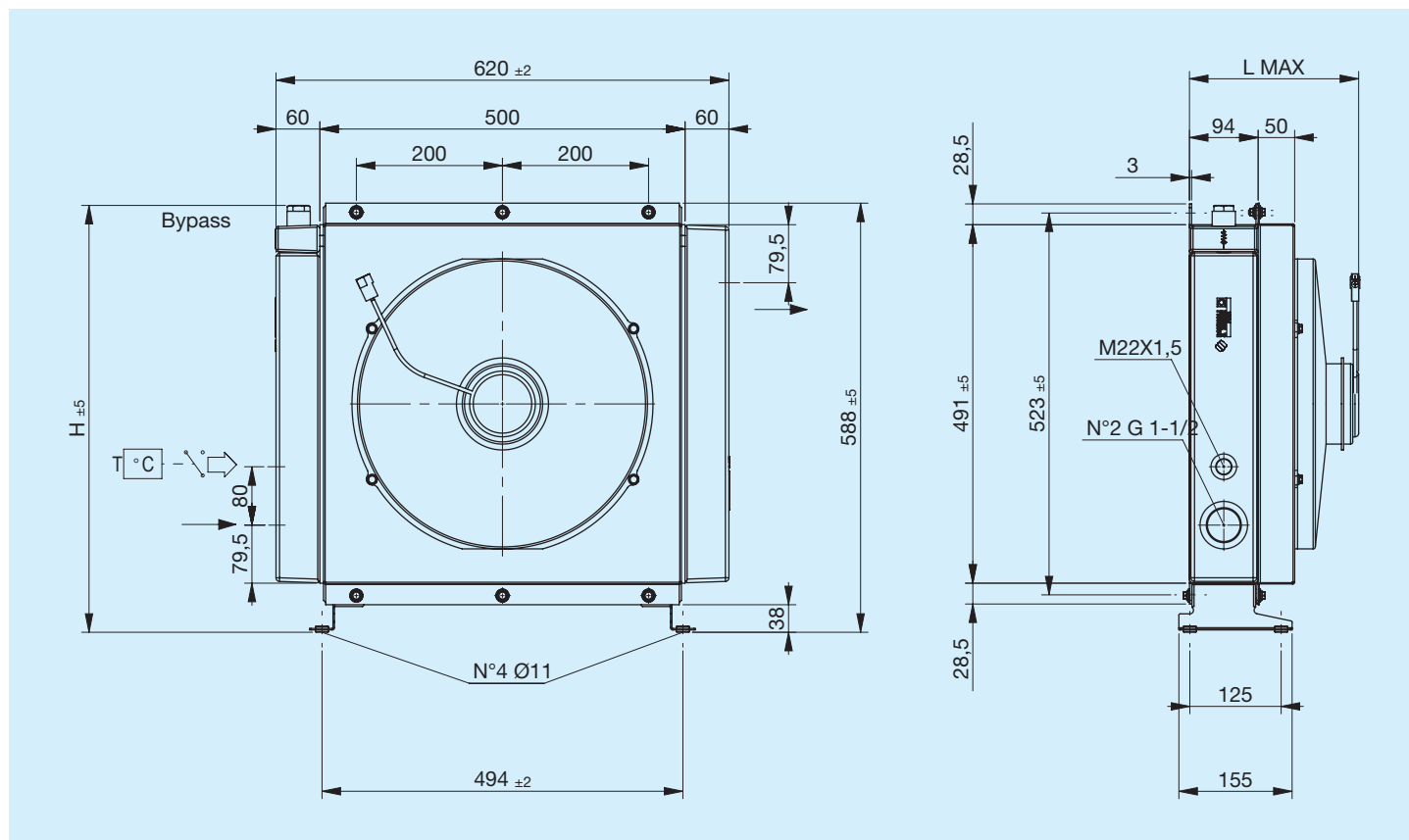


A70

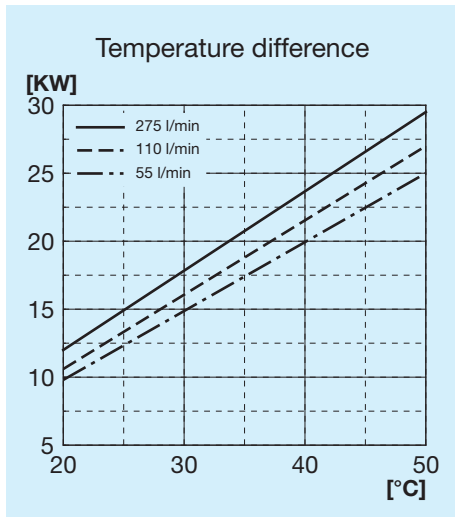


Before using the heat exchanger, carefully read the document entitled GENERAL OPERATING INSTRUCTIONS FOR HEAT EXCHANGER USE

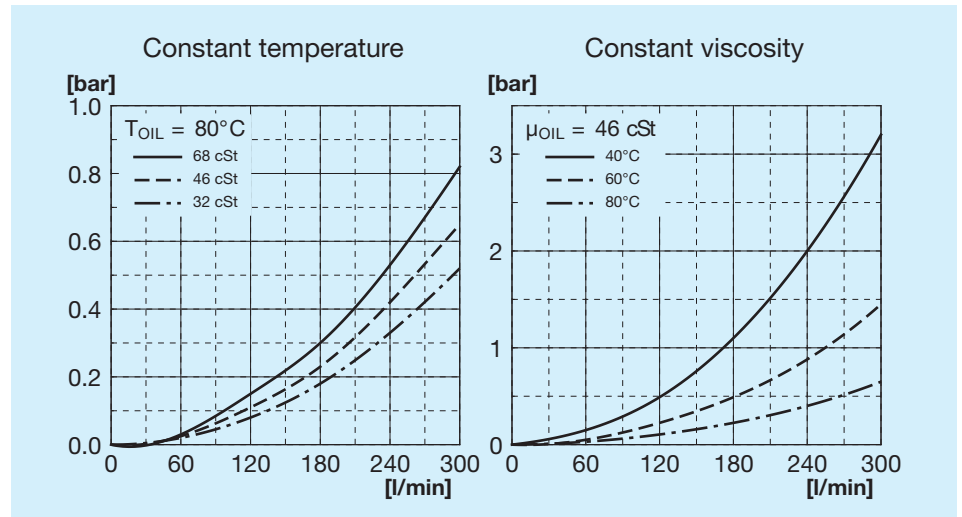


Code	Description	Ø Fan mm	Air flow m³/h	Voltage V	Amperage A	L Max mm	H mm	Weight Kg	Capacity l
FR633233105	A70 1EAX 12V bypass T15 V.T. 3 bar 60°C	385	4000	12	22	230	585	22	10.5
FR633233106	A70 1ESX 12V bypass T15 V.T. 3 bar 60°C	385	4000	12	22	230	585	22	10.5
FR633231005	A70 1EAX 12V bypass T15 VNR 4.5 bar	385	4000	12	22	230	569	22	10.5
FR633231006	A70 1ESX 12V bypass T15 VNR 4.5 bar	385	4000	12	22	230	569	22	10.5
FR633233115	A70 1EAX 24V bypass T15 V.T. 3 bar 60°C	385	4000	24	11	230	585	22	10.5
FR633233116	A70 1ESX 24V bypass T15 V.T. 3 bar 60°C	385	4000	24	11	230	585	22	10.5
FR633231015	A70 1EAX 24V bypass T15 VNR 4.5 bar	385	4000	24	11	230	569	22	10.5
FR633231016	A70 1ESX 24V bypass T15 VNR 4.5 bar	385	4000	24	11	230	569	22	10.5
FR633230005	A70 1EAX 12V	385	4000	12	22	230	588	22	10.5
FR633230006	A70 1ESX 12V	385	4000	12	22	230	588	22	10.5
FR633230015	A70 1EAX 24V	385	4000	24	11	230	588	22	10.5
FR633230016	A70 1ESX 24V	385	4000	24	11	230	588	22	10.5

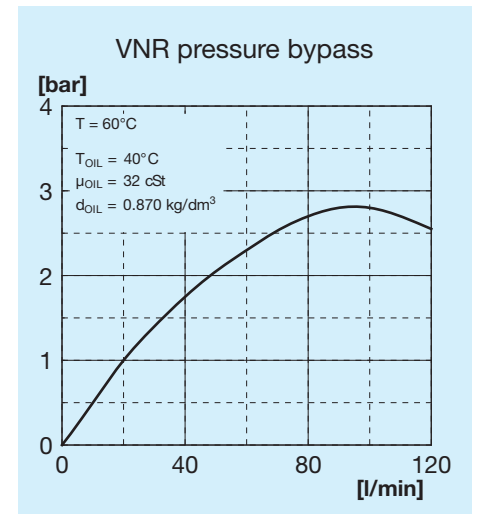
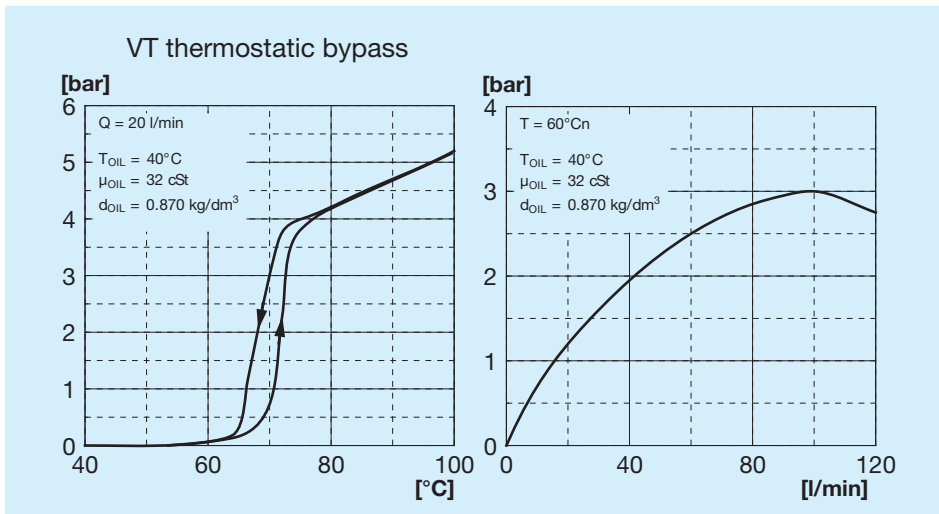
Heat exchange (thermal) capacity



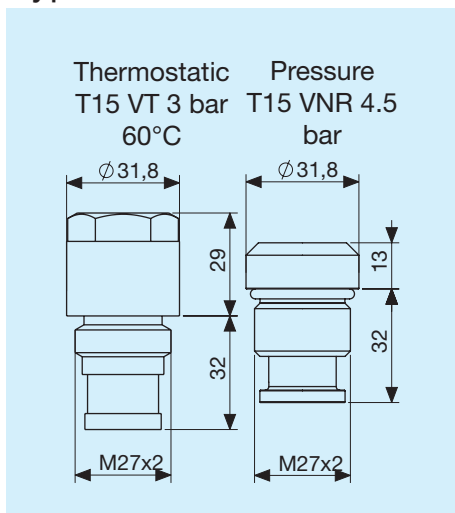
Radiator passage pressure drop



Bypass passage load loss

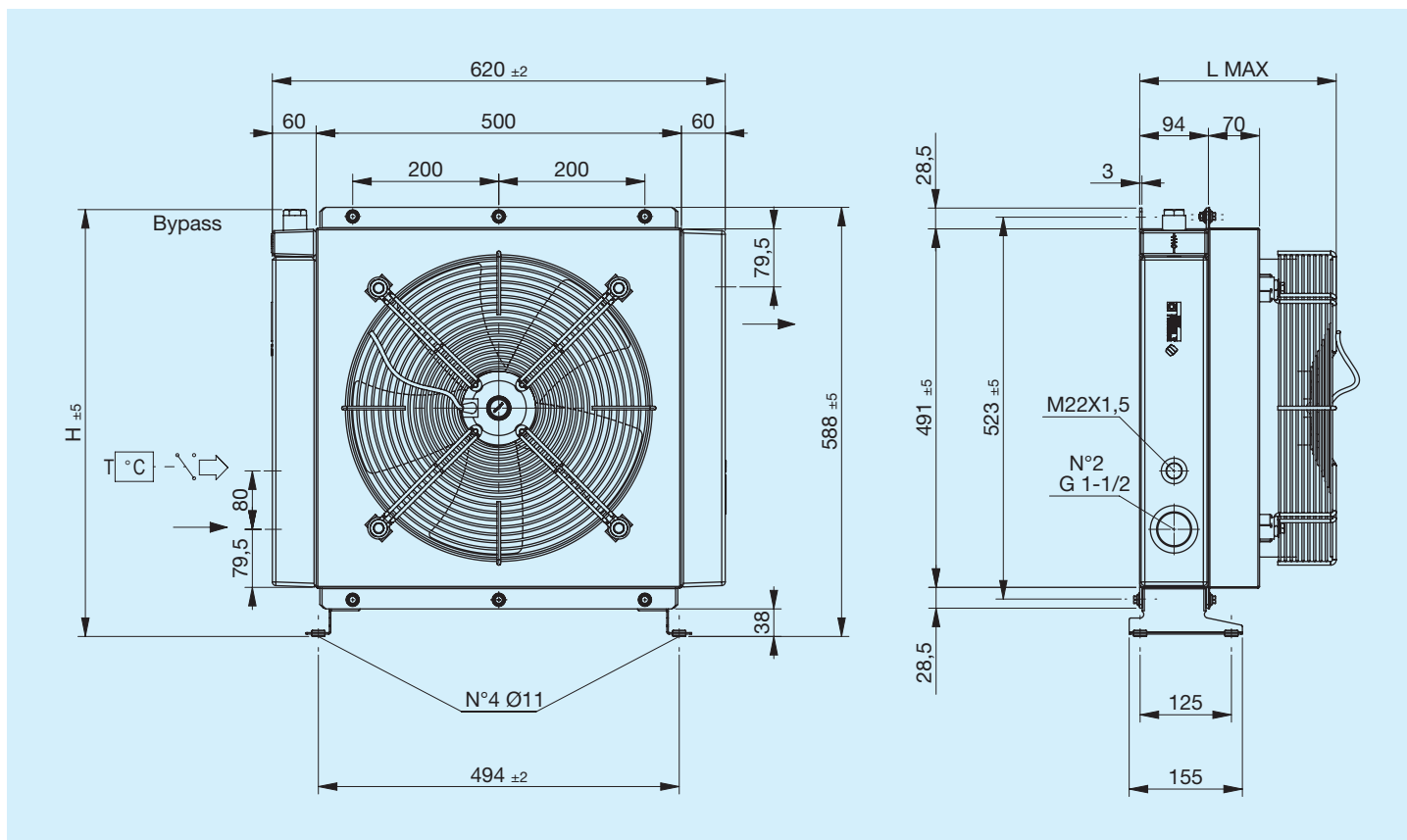


Bypass valves



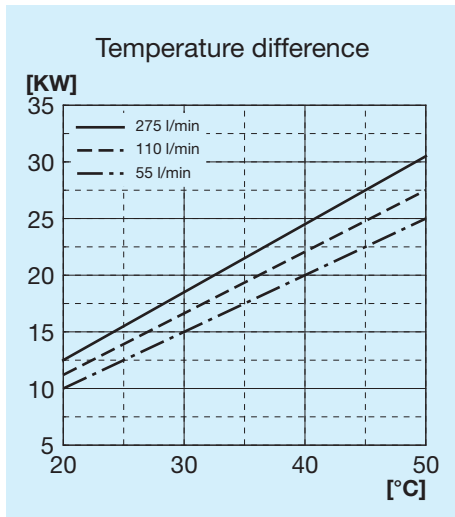
Legend

A56	Exchanger type
1E	1 Fan unit
AP	High power aspirating
SP	High power blower
AX	Extra high power aspirating
SX	Extra high power blower
12V	Fan unit voltage
24V	Fan unit voltage
T15 VT	Thermostatic bypass valve 3 bar 60u00b0C
T15 VNR	Pressure bypass valve at 4.5 bar

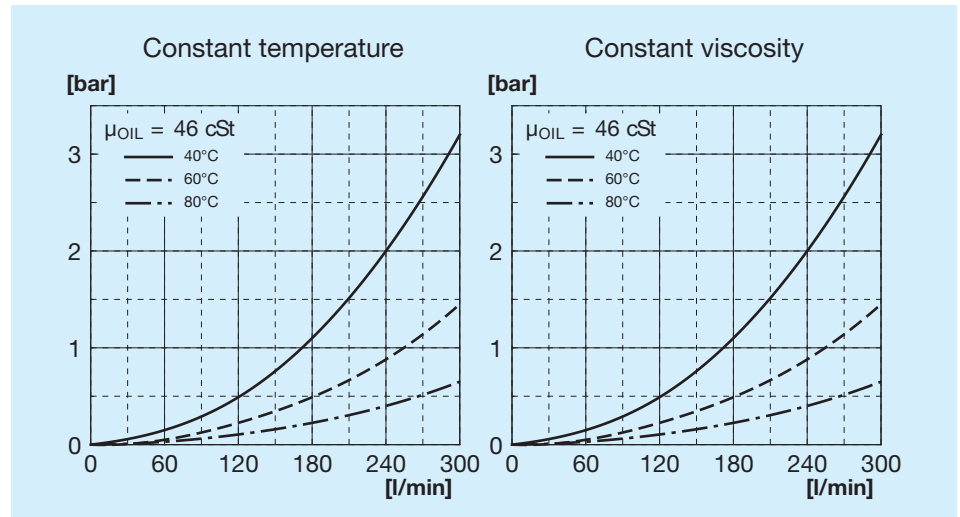


Code	Description	Ø Fan mm	Power W	Frequen- cy Hz	Velocity min ⁻¹	IP Rating	L Max mm	H mm	Weight Kg	Capacity l
FR633233131	A70 1EA 230V bypass T15 V.T. 3 bar 60°C	400	240	50 60	1430 1700	44	269	585	22	10.5
FR633233132	A70 1ES 230V bypass T15 V.T. 3 bar 60°C	400	240	50 60	1430 1700	44	269	585	22	10.5
FR633231031	A70 1EA 230V bypass T15 VNR 4.5 bar	400	240	50 60	1430 1700	44	269	569	22	10.5
FR633231032	A70 1ES 230V bypass T15 VNR 4.5 bar	400	240	50 60	1430 1700	44	269	569	22	10.5
FR633233121	A70 1EA 400V bypass T15 V.T. 3 bar 60°C	400	185	50 60	1450 1690	44	269	585	22	10.5
FR633233122	A70 1ES 400V bypass T15 V.T. 3 bar 60°C	400	185	50 60	1450 1690	44	269	585	22	10.5
FR633231021	A70 1EA 400V bypass T15 VNR 4.5 bar	400	185	50 60	1450 1690	44	269	569	22	10.5
FR633231022	A70 1ES 400V bypass T15 VNR 4.5 bar	400	185	50 60	1450 1690	44	269	569	22	10.5
FR633230031	A70 1EA 230V	400	240	50 60	1430 1700	44	269	588	22	10.5
FR633230032	A70 1ES 230V	400	240	50 60	1430 1700	44	269	588	22	10.5
FR633230021	A70 1EA 400V	400	185	50 60	1450 1690	44	269	588	22	10.5
FR633230022	A70 1ES 400V	400	185	50 60	1450 1690	44	269	588	22	10.5

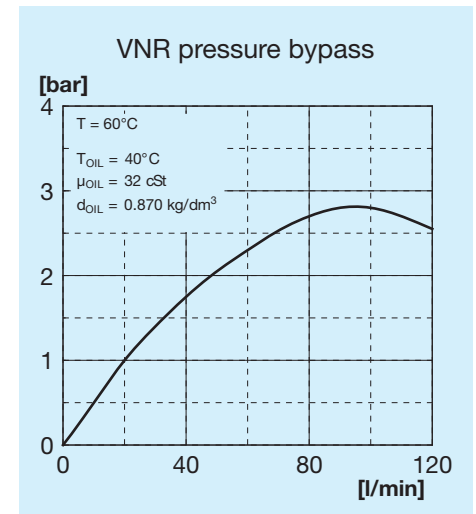
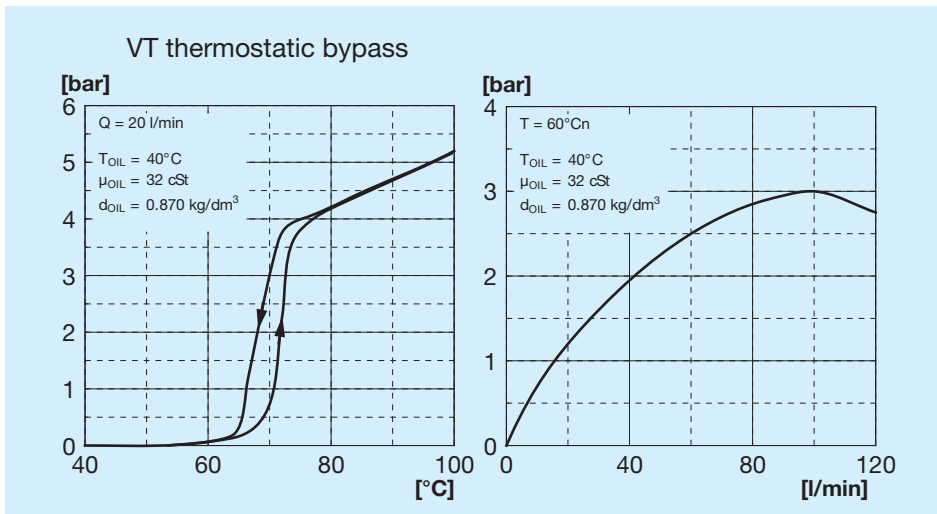
Heat exchange (thermal) capacity



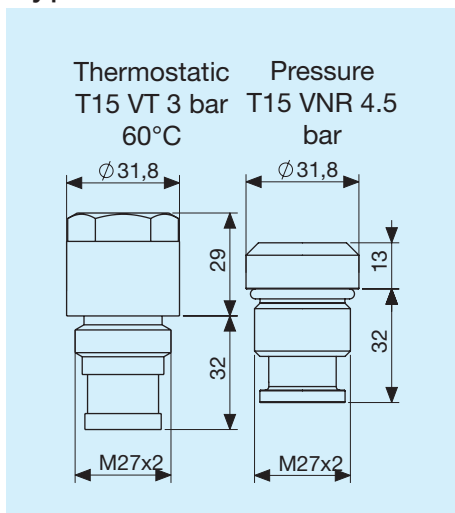
Radiator passage pressure drop



Bypass passage load loss

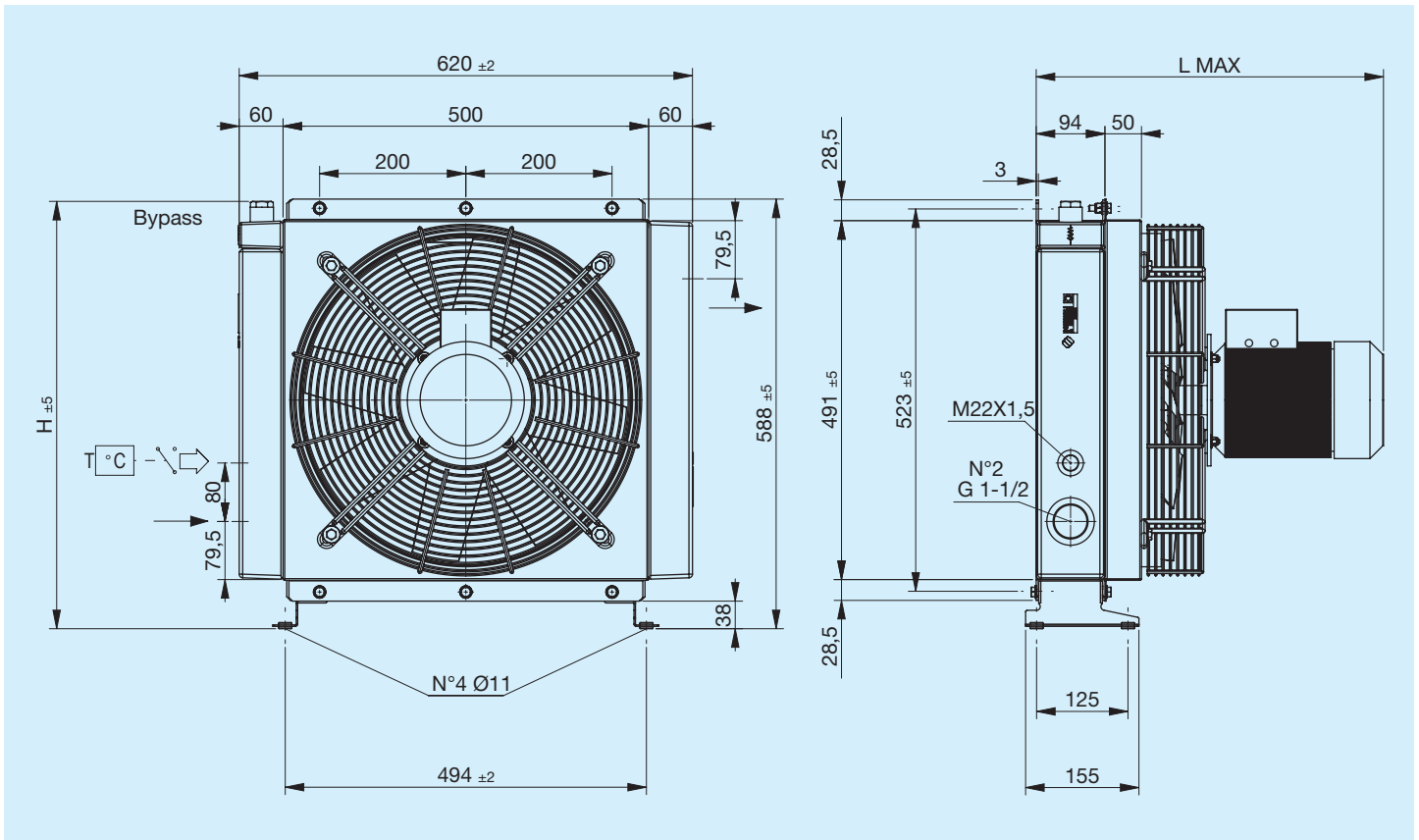


Bypass valves



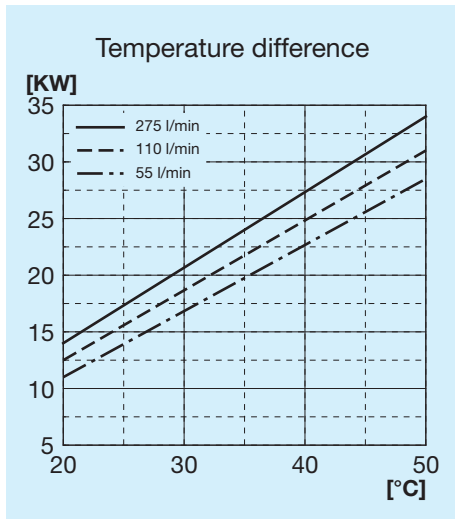
Legend

A56	Exchanger type
1E	1 Fan unit
AP	High power aspirating
SP	High power blower
AX	Extra high power aspirating
SX	Extra high power blower
12V	Fan unit voltage
24V	Fan unit voltage
T15 VT	Thermostatic bypass valve 3 bar 60u00b0C
T15 VNR	Pressure bypass valve at 4.5 bar

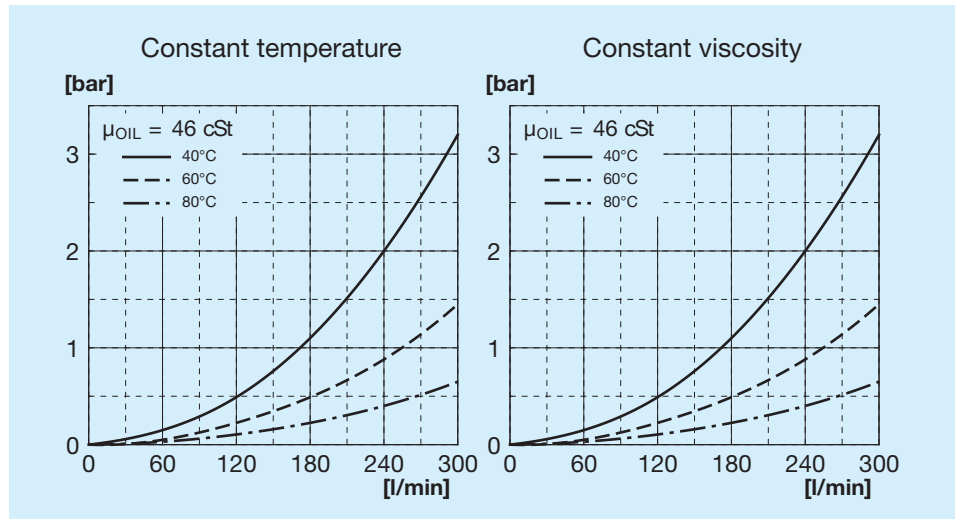


Code	Description	Ø Fan mm	Power W	Frequen- cy Hz	Velocity min ⁻¹	IP Rating	L Max mm	H mm	Weight Kg	Capacity l
FR633233141	A70 1EA 220V-B14 bypass T15 V.T. 3 bar 60°C	440	750	50	1390	65	475	585	30.5	10.5
FR633231041	A70 1EA 220V-B14 bypass T15 VNR 4.5 bar	440	750	50	1390	65	475	569	30.5	10.5
FR633233151	A70 1EA 380V-B14 bypass T15 V.T. 3 bar 60°C	440	750	50	1390	65	475	585	30.5	10.5
FR633233152	A70 1ES 380V-B14 bypass T15 V.T. 3 bar 60°C	440	750	50	1390	65	475	585	30.5	10.5
FR633231051	A70 1EA 380V-B14 bypass T15 VNR 4.5 bar	440	750	50	1390	65	475	569	30.5	10.5
FR633231052	A70 1ES 380V-B14 bypass T15 VNR 4.5 bar	440	750	50	1390	65	475	569	30.5	10.5
FR633230041	A70 1EA 220V-B14	440	750	50	1390	65	475	588	30.5	10.5
FR633230042	A70 1ES 220V-B14	440	750	50	1390	65	475	588	30.5	10.5
FR633230051	A70 1EA 380V-B14	440	750	50	1390	65	475	588	30.5	10.5
FR633230052	A70 1ES 380V-B14	440	750	50	1390	65	475	588	30.5	10.5

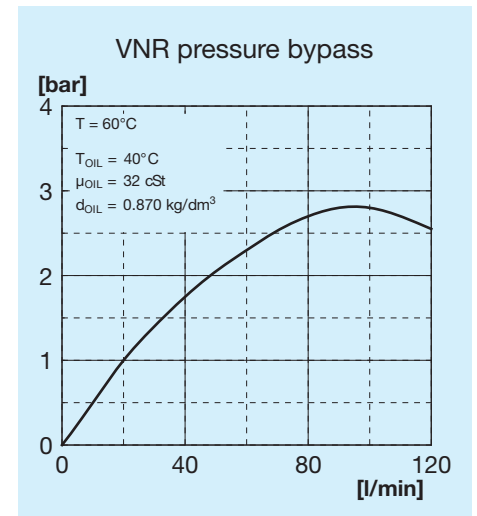
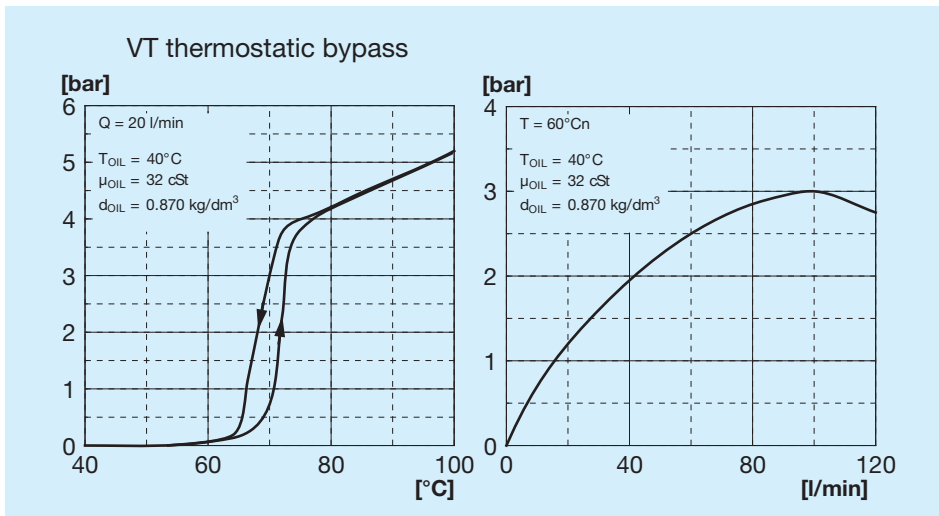
Heat exchange (thermal) capacity



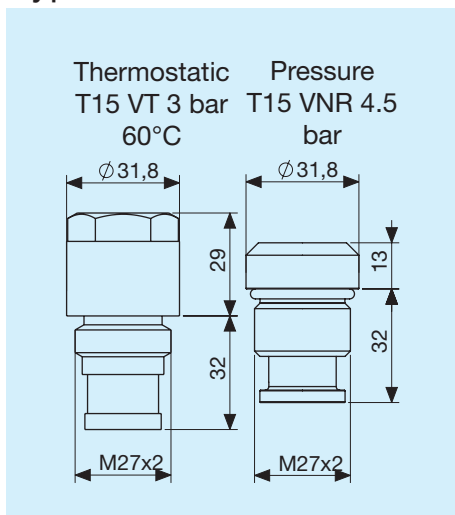
Radiator passage pressure drop



Bypass passage load loss

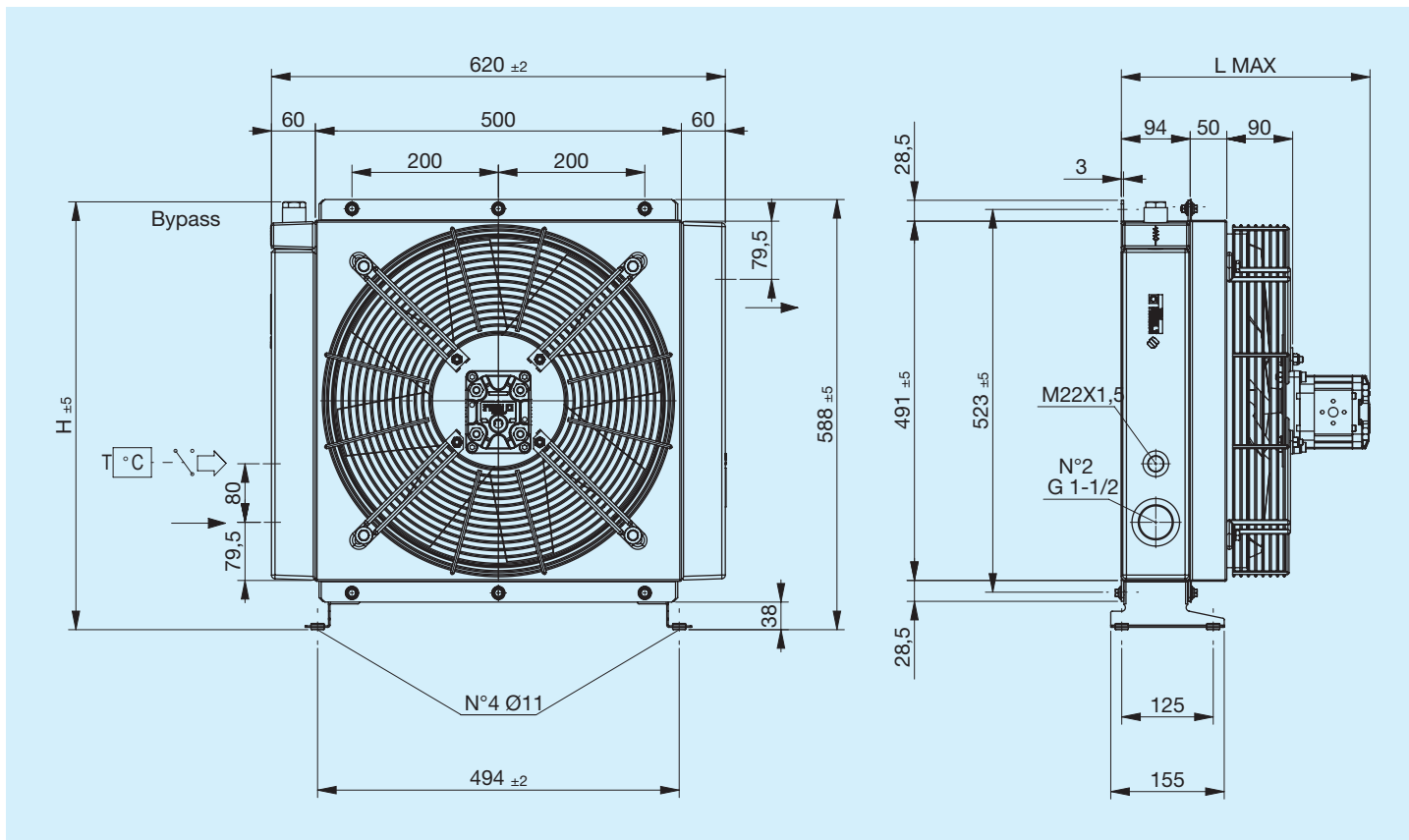


Bypass valves



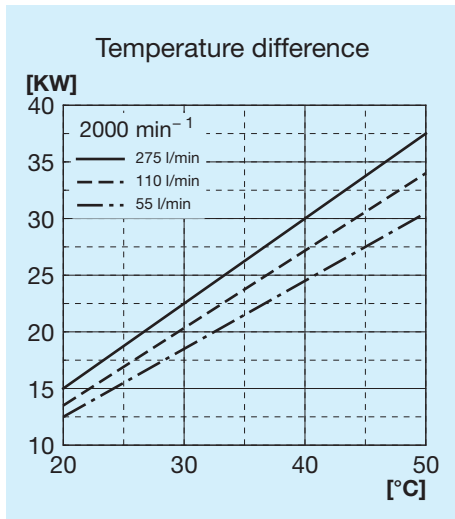
Legend

A56	Exchanger type
1E	1 Fan unit
AP	High power aspirating
SP	High power blower
AX	Extra high power aspirating
SX	Extra high power blower
12V	Fan unit voltage
24V	Fan unit voltage
T15 VT	Thermostatic bypass valve 3 bar 60u00b0C
T15 VNR	Pressure bypass valve at 4.5 bar

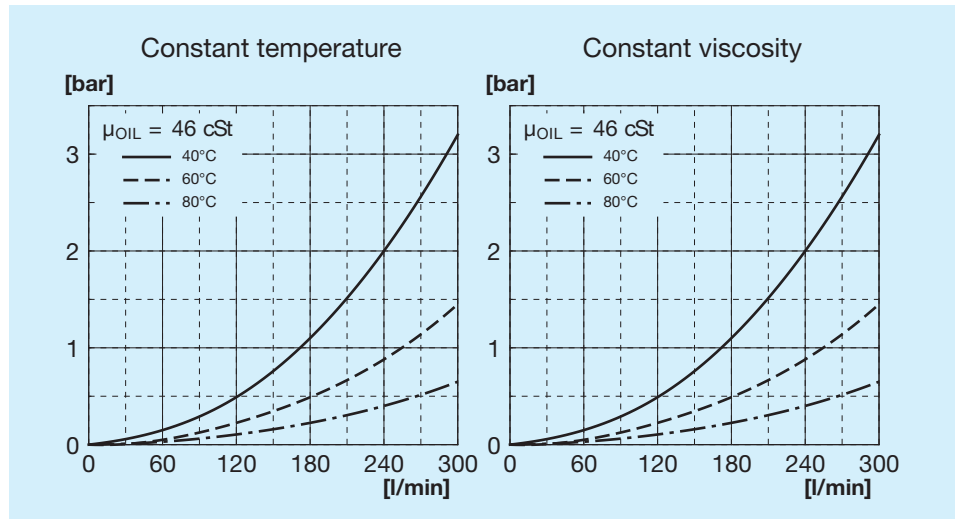


Code	Description	Ø Fan mm	Displacement motors cm ³ /h	L Max mm	H mm	Weight Kg	Capacity l
FR634233101	A70 IA SETT.GR2 bypass T15 V.T. 3 bar 60°C	440	-	280	585	25	10.5
FR634233102	A70 IS SETT.GR2 bypass T15 V.T. 3 bar 60°C	440	-	280	585	25	10.5
FR634231001	A70 IA SETT.GR2 bypass T15 VNR 4.5 bar	440	-	280	569	25	10.5
FR634231002	A70 IS SETT.GR2 bypass T15 VNR 4.5 bar	440	-	280	569	25	10.5
FR634233103	A70 IA HYDR.MOT. GR2 bypass T15 V.T. 3 bar 60°C	440	6	340	585	26	10.5
FR634233104	A70 IS HYDR.MOT. GR2 bypass T15 V.T. 3 bar 60°C	440	6	340	585	26	10.5
FR634231003	A70 IA HYDR.MOT. GR2 bypass T15 VNR 4.5 bar	440	6	340	569	26	10.5
FR634231004	A70 IS HYDR.MOT. GR2 bypass T15 VNR 4.5 bar	440	6	340	569	26	10.5
FR634230001	A70 IA SETT.GR2	440	-	280	588	25	10.5
FR634230002	A70 IS SETT.GR2	440	-	280	588	25	10.5
FR634230003	A70 IA HYDR.MOT. GR2	440	6	340	588	26	10.5
FR634230004	A70 IS HYDR.MOT. GR2	440	6	340	588	26	10.5

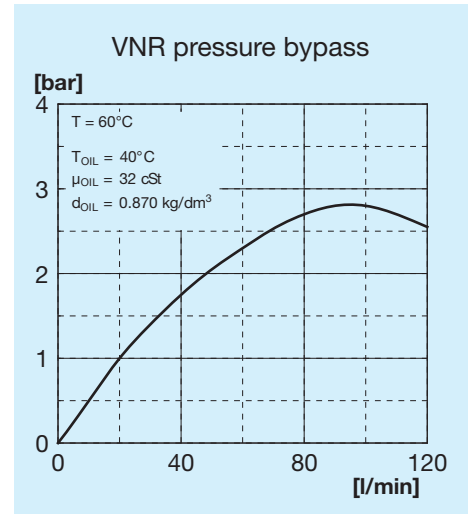
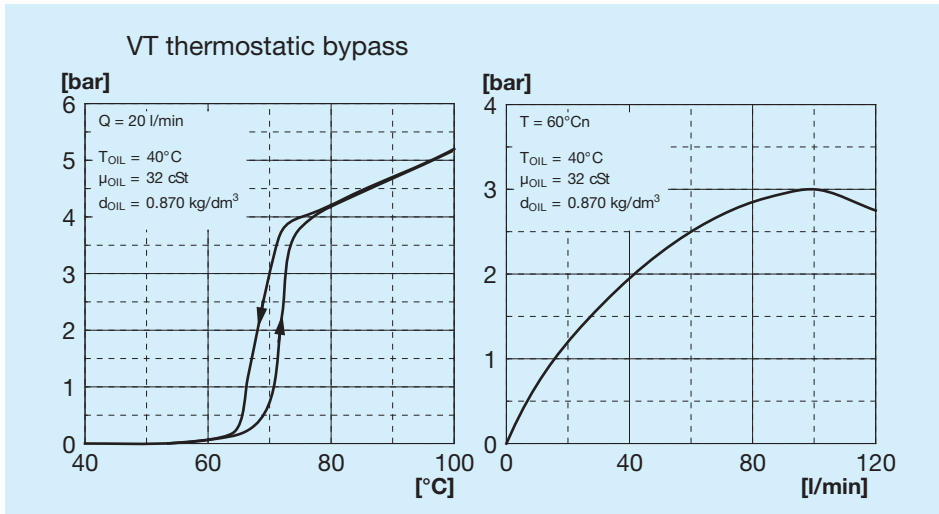
Heat exchange (thermal) capacity



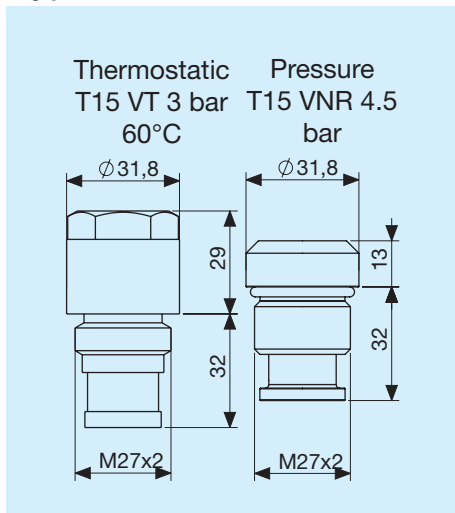
Radiator passage pressure drop



Bypass passage load loss



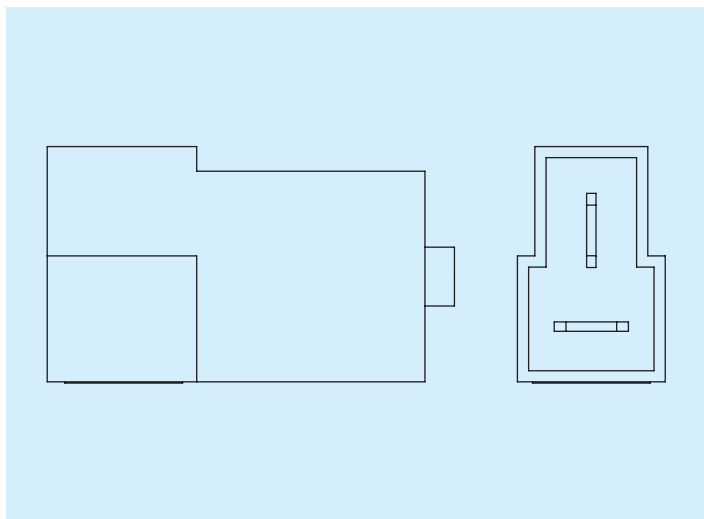
Bypass valves



Legend

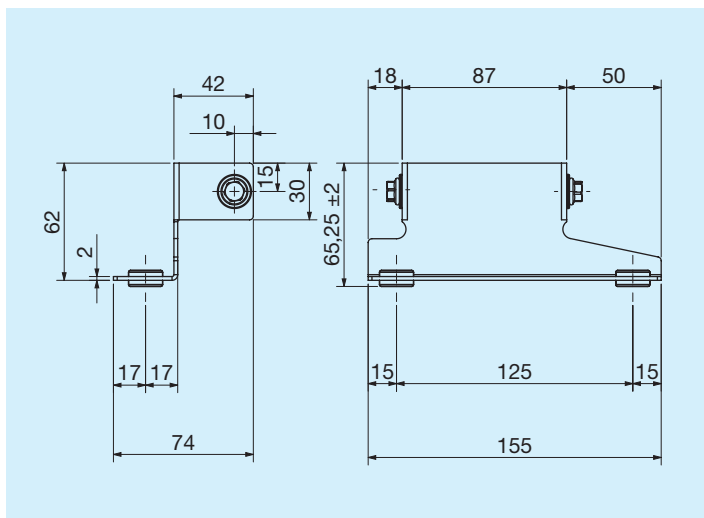
A56	Exchanger type
1E	1 Fan unit
AP	High power aspirating
SP	High power blower
AX	Extra high power aspirating
SX	Extra high power blower
12V	Fan unit voltage
24V	Fan unit voltage
T15 VT	Thermostatic bypass valve 3 bar 60u00b0C
T15 VNR	Pressure bypass valve at 4.5 bar

Connector

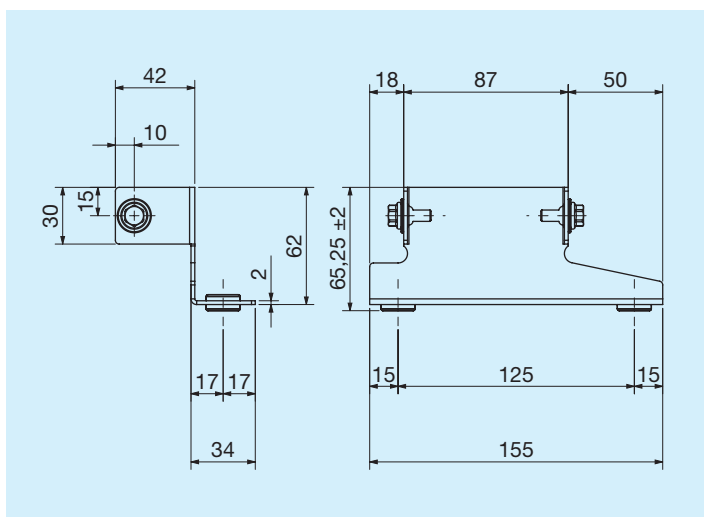


	Code
AMP connector	180908

Left supporting foot

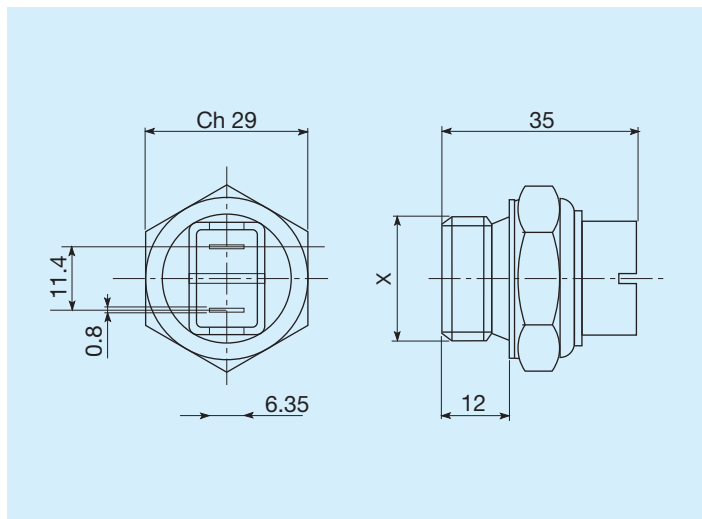


	Code
Left supporting foot	FR290000023



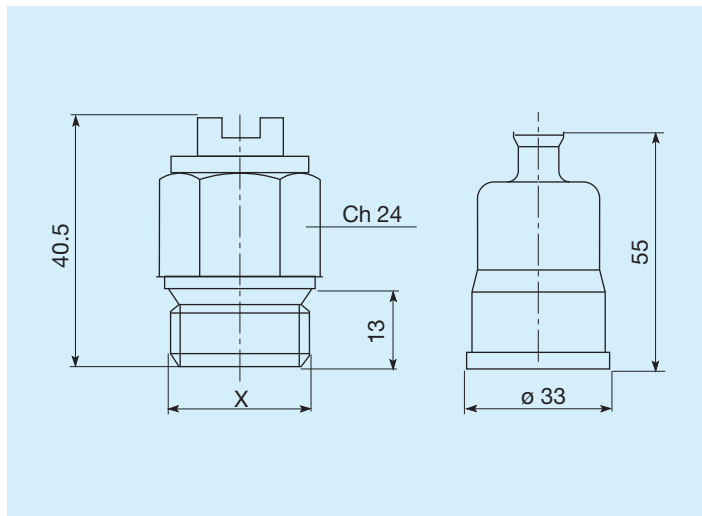
	Code
Right supporting foot	FR290000024

Thermostats



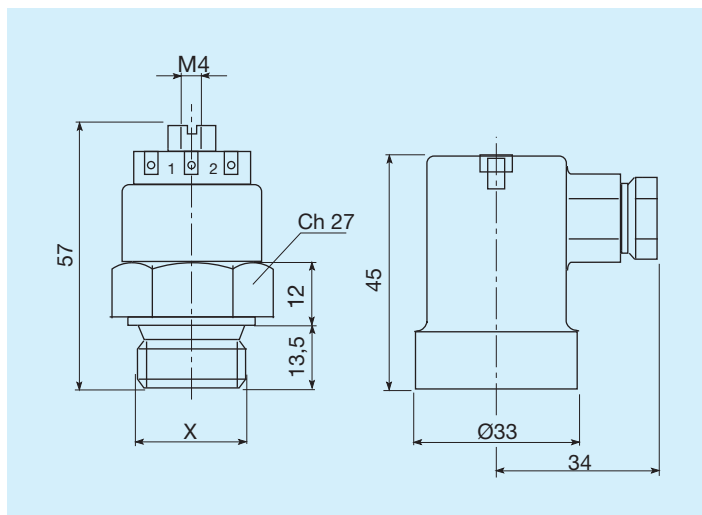
Trigger temperature °C		Code
45 - 35	M22x1.5	FR 361104535
60 - 50	M22x1.5	FR 361106050
80 - 70	M22x1.5	FR 361108070
82 - 68	M22x1.5	FR 361108268
85 - 76	M22x1.5	FR 361108576

IP54 protected thermal switch



Trigger temperature °C		Code
45 - 35	M22x1.5	FR 361124535
50 - 40	M22x1.5	FR 361125040
60 - 50	M22x1.5	FR 361126050
70 - 60	M22x1.5	FR 361127060
80 - 70	M22x1.5	FR 361128070

IP65 protected thermal switch



Trigger temperature °C		Code
45 - 35	M22x1.5	FR 361154535
47 - 36	M22x1.5	FR 361155040
60 - 50	M22x1.5	FR 361156050
80 - 70	M22x1.5	FR 361158070