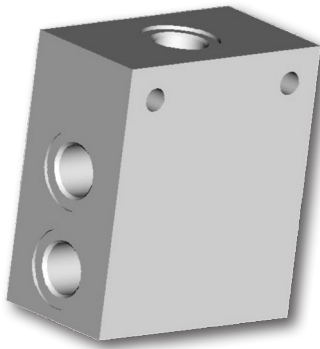


## In-Line Bodies for Screw-In Cartridge Valves

**SB**

$p_{max}$  (AL) 250 bar (3600 PSI) •  $p_{max}$  (G) 350 bar (5080 PSI) •  $p_{max}$  (ST) 420 bar (6100 PSI)



### Technical Features

- › In-line bodies designed to accommodate different cartridge valves and thus provide highly versatile solutions to hydraulic control functions
- › Different valve functions in the same body are possible due to standardised cavities and valve housings across a wide range of cartridge valves
- › Various cavities with SAE and ISO metric threads available
- › Connecting ports for pipes with SAE and BSP threads available
- › Bodies are available in aluminium, steel and cast iron. In the standard version, aluminium bodies are without surface treatment, steel bodies are zinc-coated for 240 h protection acc. to ISO 9227 and cast iron bodies are phosphated
- › Cast iron body versions additionally feature a gauge port

### Ordering Code

SB - [ ] - [ ] [ ] [ ] [ ] [ ] [ ] - [ ]

#### In-Line Bodies for Screw-In Cartridge Valves

##### Cavity\*

3/4-16 UNF-2B, 2-Way	(C-8-2)	A2
3/4-16 UNF-2B, 3-Way	(C-8-3)	A3
3/4-16 UNF-2B, 4-Way	(C-8-4)	A4
7/8-14 UNF-2B, 2-Way	(C-10-2)	B2
7/8-14 UNF-2B, 3-Way	(C-10-3)	B3
7/8-14 UNF-2B, 4-Way	(C-10-4)	B4
7/8-14 UNF-2B, 3-Way	(C-10-3S)	BP3
7/8-14 UNF-2B, 4-Way		BPY3
1-1/16 UN-2B, 2-Way	(C-12-2)	C2
1-1/16 UN-2B, 3-Way	(C-12-3)	C3
1-1/16 UN-2B, 3-Way	(C-12-3S)	CP3
1-1/16 UN-2B, 4-Way		CPY3
1-1/8-12 UNF-2B, 3-Way		U3
1-1/8-12 UNF-2B, 4-Way		U4
1-5/16-12 UNF-2B, 3-Way	(C-16-3S)	S3
1-5/16-12 UN-2B, 4-Way		V4
1-5/16-12 UN-2B, 4-Way	(C-16-4)	D4
M20x1.5, 3-Way		Q3
M22x1.5, 2-Way		QG2
M22x1.5, 3-Way		QF3
M27x1.5, 3-Way		R3
M27x2, 2-Way		QK2
M27x2, 2-Way		K2
M27x2, 3-Way		K3
M27x2, 3-Way		QL3
M30x1.5 S,SX 2-Way		RB2
M30x1.5 SX 3-Way		RB3
M38x2, 3-Way		T3
SLIP-IN, 3-Way		W3, X3, Y3
SLIP-IN, 4-Way		Z4

\*For more details on cavities and suitable valve types please see the SMT catalogue 0019.

No designation	Surface treatment
P	without treatment*
A	phosphated**
B	240 h salt spray test (ISO 9227)***
E1	520 h salt spray test (ISO 9227)*** elox transparent *

\*only for aluminium bodies  
\*\*only for cast iron bodies  
\*\*\*only for steel bodies

No designation	Material seals - only for Plugs
N	NBR
V	FPM (Viton)

No designation	Body material
AL	aluminium
ST	steel
G	cast iron

No designation	Gauge port
M	without gauge port gauge port

No designation	Control port
XY	without control port drain for valve type VPN2-10, VPN1-20 version SX and SY

No designation	Number of „P“-ports*
P	single port „P1“ *dual port „P1“ and „P2“

\*only for cavity QG2, QK2, QL3, RB2, RB3

#### Body configuration

Single body	01
Dual body	02
Triple body	03

01	G1/4
02	SAE6, (9/6-18 UNF-2B)
03	G3/8
04	SAE8, (3/4-16 UNF-2B)
05	G1/2
06	SAE10, (7/8-14 UNF-2B)
07	G3/4
08	SAE12, (1-1/16-12 UN-2B)
09	G1
10	SAE16 (1-5/16-12 UN-2B)
11	G3/4 (A,P), G1/2 (T)

Not all combination of features are available as actual products. The standard versions are listed on pages 2 and 3. For the identification and feasibility of other body versions consult our technical department.

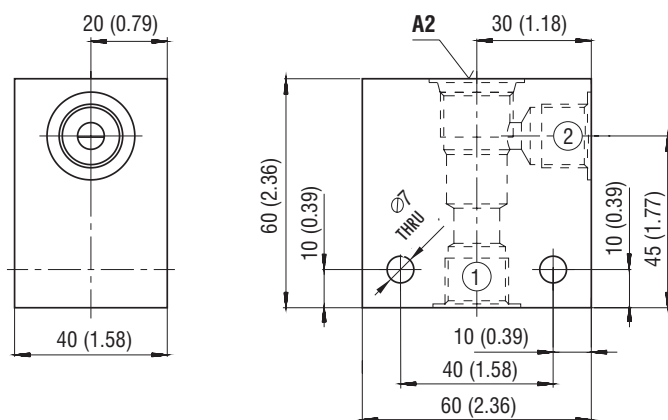
**List of Bodies According to Cavity Types**

Cavity	Connecting thread	Material	Ordering code	Pressure bar (PSI)	Weight kg (lbs)	Dimensions	Ordering No.		
<b>A2 (C-8-2)</b> 3/4-16 UNF-2B 2-Way	G1/4	Aluminium	SB-A2-0101AL	250 (3626)	0,56 (1.23)	Page 5	28129501		
		Steel	SB-A2-0101ST-A	420 (6091)	1,27 (3.46)		27308300		
	SAE6, 9/6-18	Aluminium	SB-A2-0102AL	250 (3626)	0,56 (1.23)		24365800		
		Steel	SB-A2-0102ST-A	420 (6091)	1,27 (3.46)		24365700		
	G3/8	Aluminium	SB-A2-0103AL	250 (3626)	0,56 (1.23)		40152100		
		Steel	SB-A2-0103ST-A	420 (6091)	1,27 (3.46)		15662001		
	SAE8, 3/4-16	Aluminium	SB-A2-0104AL	250 (3626)	0,56 (1.23)		33969000		
		Aluminium	SB-A2-0105AL	250 (3626)	0,56 (1.23)		19569000		
	Steel	SB-A2-0105ST-A	420 (6091)	1,27 (3.46)	19569100				
	<b>A3 (C-8-3)</b> 3/4-16 UNF-2B 3-Way	G1/4	Aluminium	SB-A3-0101AL	250 (3626)		0,63 (1.39)	Page 5	24365901
Steel			SB-A3-0101ST-A	420 (6091)	1,36 (3.00)	28649300			
SAE6, 9/6-18		Aluminium	SB-A3-0102AL	250 (3626)	0,63 (1.39)	15662300			
		Steel	SB-A3-0102ST-A	420 (6091)	1,36 (3.00)	40186200			
G3/8		Aluminium	SB-A3-0103AL	250 (3626)	0,63 (1.39)	17031300			
		Steel	SB-A3-0103ST-A	420 (6091)	1,36 (3.00)	33979700			
SAE8, 3/4-16	Aluminium	SB-A3-0104AL	250 (3626)	0,63 (1.39)					
	Aluminium	SB-A4-0101AL	250 (3626)	0,76 (1.68)	Page 5	20786001			
SAE6, 9/6-18	Steel	SB-A4-0102ST-A	420 (6091)	2,14 (4.72)		34277800			
	G3/8	Aluminium	SB-A4-0103AL	250 (3626)		0,76 (1.68)	15662700		
Steel		SB-A4-0103ST-A	420 (6091)	2,14 (4.72)		15662600			
<b>B2 (C-10-2)</b> 7/8-14 UNF-2B 2-Way	G3/8	Aluminium	SB-B2-0103AL	250 (3626)	0,54 (1.19)	Page 6	19430701		
		Steel	SB-B2-0103ST-A	420 (6091)	1,50 (3.31)		19937600		
	SAE8, 3/4-16	Aluminium	SB-B2-0104AL	250 (3626)	0,54 (1.19)		27744700		
		Aluminium	SB-B2-0105AL	250 (3626)	0,54 (1.19)		19569201		
	G1/2	Steel	SB-B2-0105ST-A	420 (6091)	1,50 (3.31)		19696400		
		Steel	SB-B2-0106ST-A	420 (6091)	1,50 (3.31)		34293000		
	<b>B3 (C-10-3)</b> 7/8-14 UNF-2B 3-Way	G3/8	Aluminium	SB-B3-0103AL	250 (3626)		0,60 (1.32)	Page 6	19965001
			Steel	SB-B3-0103ST-A	420 (6091)		1,68 (3.70)		19964800
SAE8, 3/4-16		Steel	SB-B3-0104ST-A	420 (6091)	1,68 (3.70)	34048700			
		Aluminium	SB-B3-0105AL	250 (3626)	0,60 (1.32)	31033500			
G1/2		Steel	SB-B3-0105ST-A	420 (6091)	1,68 (3.70)	27673100			
		Steel	SB-B3-0106ST-A	420 (6091)	1,68 (3.70)	28199100			
<b>B4 (C-10-4)</b> 7/8-14 UNF-2B 4-Way		G3/8	Aluminium	SB-B4-0103AL	250 (3626)	0,71 (1.57)	Page 6		27461000
			Steel	SB-B4-0103ST-A	420 (6091)	1,99 (4.39)			27567600
	SAE8, 3/4-16	Steel	SB-B4-0104ST-A	420 (6091)	1,99 (4.39)	34277600			
		Aluminium	SB-B4-0105AL	250 (3626)	0,71 (1.57)	33054100			
	G1/2	Steel	SB-B4-0105ST-A	420 (6091)	1,99 (4.39)	27567500			
		Aluminium	SB-B4-0106AL	250 (3626)	0,71 (1.57)	19965400			
	Steel	SB-B4-0106ST-A	420 (6091)	1,99 (4.39)	19965200				
	<b>BP3-01 (C-10-3S)</b> 7/8-14 UNF-2B 3-Way	G3/8	Steel	SB-BP3-0103ST-B	420 (6091)	1,77 (3.90)		Page 7	40950500
Steel			SB-BP3-0104ST-B	420 (6091)	1,74 (3.84)	40954700			
SAE8, 3/4-16		Steel	SB-BP3-0105ST-B	420 (6091)	1,75 (3,86)	40950900			
		Steel	SB-BP3-0106ST-B	420 (6091)	1,71 (3.79)	40956800			
<b>BP3-02 (C-10-3S)</b> 7/8-14 UNF-2B 3-Way	G3/8	Steel	SB-BP3-0203ST-B	420 (6091)	2,35 (5.18)	Page 7	42628700		
		Steel	SB-BP3-0204ST-B	420 (6091)	2,29 (5.05)		42800900		
	SAE8, 3/4-16	Steel	SB-BP3-0205ST-B	420 (6091)	2,28 (5.03)		42801000		
		Steel	SB-BP3-0206ST-B	420 (6091)	2,21 (4.87)		42801100		
<b>BPY3-01</b> 7/8-14 UNF-2B 4-Way	G3/8	Steel	SB-BYP3-0103ST-B	420 (6091)	1,96 (4.32)	Page 8	40952800		
		Steel	SB-BYP3-0104ST-B	420 (6091)	1,92 (4.23)		40957000		
	SAE8, 3/4-16	Steel	SB-BYP3-0105ST-B	420 (6091)	1,93 (4.25)		40953300		
		Steel	SB-BYP3-0106ST-B	420 (6091)	1,88 (4.14)		40958100		
<b>BPY3-02</b> 7/8-14 UNF-2B 4-Way	G3/8	Steel	SB-BPY3-0203ST-B	420 (6091)	2,74 (6.04)	Page 8	43444400		
		Steel	SB-BPY3-0204ST-B	420 (6091)	2,67 (5.89)		43444900		
	SAE8, 3/4-16	Steel	SB-BPY3-0205ST-B	420 (6091)	2,67 (5.89)		43444600		
		Steel	SB-BPY3-0206ST-B	420 (6091)	2,59 (5.71)		43443900		
<b>C2 (C-12-2)</b> 1-1/16-12 UN-2B 2-Way	SAE12, 1-1/16-12	Steel	SB-C2-0108ST-A	420 (6091)	2,30 (5.07)	Page 8	40222200		

Cavity	Connecting thread	Material	Ordering code	Pressure bar (PSI)	Weight kg (lbs)	Dimensions	Ordering No.
<b>C3</b> (C-12-3) 1-1/16-12 UN-2B 3-Way	G3/4	hlinik	SB-C3-0107AL	250 (3626)	1.23 (2.71)	Page 8	43334300
		ocel	SB-C3-0107ST-B	420 (6091)	3.39 (7.47)		43333900
	SAE12, 1-1/16-12	hlinik	SB-C3-0108AL	250 (3626)	1.21 (2.67)		43385400
		ocel	SB-C3-0108ST-B	420 (6091)	3.32 (7.32)		43385000
	G1	hlinik	SB-C3-0109AL	250 (3626)	1.16 (2.56)		43333800
		ocel	SB-C3-0109ST-B	420 (6091)	3.20 (7.05)		43331200
	SAE16, 1-5/16-12	hlinik	SB-C3-0110AL	250 (3626)	1.14 (2.51)		43385300
		ocel	SB-C3-0110ST-B	420 (6091)	3.15 (6.94)		43383400
<b>CP3-01</b> (C-12-3S) 1-1/16-12 UN-2B 3-Way	G1/2	Steel	SB-CP3-0105ST-B	420 (6091)	2,61 (5.75)	Page 9	41586400
	SAE10,7/8-14	Steel	SB-CP3-0106ST-B	420 (6091)	2,57 (5.67)		41578800
	G3/4	Steel	SB-CP3-0107ST-B	420 (6091)	2,54 (5.60)		41586700
	SAE12, 1-1/16-12	Steel	SB-CP3-0108ST-B	420 (6091)	2.49 (5.49)		41577600
<b>CP3-02</b> (C-12-3S) 1-1/16-12 UN-2B 3-Way	G1/2	Steel	SB-CP3-0205ST-B	420 (6091)	3.70 (8.16)	Page 9	42806100
	SAE10,7/8-14	Steel	SB-CP3-0206ST-B	420 (6091)	3,63 (8.00)		42806200
	G3/4	Steel	SB-CP3-0207ST-B	420 (6091)	3.55 (7.83)		42806300
	SAE12, 1-1/16-12	Steel	SB-CP3-0208ST-B	420 (6091)	3.48 (7.67)		42806400
<b>CPY3-01</b> 1-1/16-12 UN-2B 4-Way	G1/2	Steel	SB-CYP3-0105ST-B	420 (6091)	2,99 (6.59)	Page 10	41605700
	SAE10,7/8-14	Steel	SB-CYP3-0106ST-B	420 (6091)	2,94 (6.48)		41598400
	G3/4	Steel	SB-CYP3-0107ST-B	420 (6091)	2,91 (6.42)		41601300
	SAE12, 1-1/16-12	Steel	SB-CYP3-0108ST-B	420 (6091)	2,86 (6.30)		41592700
<b>CPY3-02</b> 1-1/16-12 UN-2B 4-Way	G1/2	Steel	SB-CPY3-0205ST-B	420 (6091)	4.22 (9.30)	Page 10	43451200
	SAE10,7/8-14	Steel	SB-CPY3-0206ST-B	420 (6091)	4.15 (9.15)		43451600
	G3/4	Steel	SB-CPY3-0207ST-B	420 (6091)	4.07 (8.97)		43451300
	SAE12, 1-1/16-12	Steel	SB-CPY3-0208ST-B	420 (6091)	3.98 (8.77)		43448200
<b>S3</b> (C-16-3S) 1-5/16-12 UNF-2B 3-Way	G3/4	Aluminium	SB-S3-0107AL	250 (3626)	0.95 (2.09)	Page 11	24296100
		Steel	SB-S3-0107ST-A	420 (6091)	1.30 (2.87)		28018500
	G3/4	Aluminium	SB-S3-0207AL	250 (3626)	1.91 (4.21)		24296200
		Steel	SB-S3-0207ST-A	420 (6091)	3.00 (6.61)		28769200
<b>D4</b> (C-16-4) 1-5/16-12 UN-2B 4-Way	G1/2	Aluminium	SB-D4-0105AL	250 (3626)	1.50 (3.31)	Page 11	27955800
		Steel	SB-D4-0105ST-A	420 (6091)	4.35 (9.59)		31976800
<b>U3</b> 1-1/8-12 UNF-2B 3-Way	G1/2	Aluminium	SB-U3-0105AL	250 (3626)	0.81 (1.79)	Page 12	24296700
		Steel	SB-U3-0105ST-A	420 (6091)	2.07 (4.56)		24296800
<b>U4</b> 1-1/8-12 UNF-2B 4-Way	G1/2	Aluminium	SB-U4-0105AL	250 (3626)	0.80 (1.76)	Page 12	19296500
		Steel	SB-U4-0105ST-A	420 (6091)	2.05 (4.52)		18839000
<b>V4</b> 1-5/16-12 UN-2B 4-Way	G1	Steel	SB-V4-0109ST-A	420 (6091)	4.30 ( 9.47)	Page 12	27418100
<b>Q3</b> M20x1.5 3-Way	G3/8	Aluminium	SB-Q3-0103AL	250 (3626)	0.27 (0.60)	Page 13	15628000
		Steel	SB-Q3-0103ST-A	420 (6091)	0.75 (1.65)		24295600
	G3/8	Aluminium	SB-Q3-0203AL	250 (3626)	0.46 (1.01)		17236700
		Steel	SB-Q3-0203ST-A	420 (6091)	1.28 (2.82)		24295700
		Aluminium	SB-Q3-0303AL	250 (3626)	0.47 (1.04)		15628100
<b>QF3</b> M22x1.5, 3-Way	G3/8	Cast iron	SB-QF3-0103MGN-P	350 (5080)	1.10 (2.43)	Page 14	16002700
<b>R3</b> M27x1.5 3-Way	G1/2	Aluminium	SB-R3-0105AL	250 (3626)	0.44 (0.97)	Page 14	16947300
		Steel	SB-R3-0105ST-A	420 (6091)	1.20 (2.65)		24295800
		Aluminium	SB-R3-0205AL	250 (3626)	0.78 (1.72)		24295900
		Steel	SB-R3-0205ST-A	420 (6091)	2.15 (4.74)		24296000

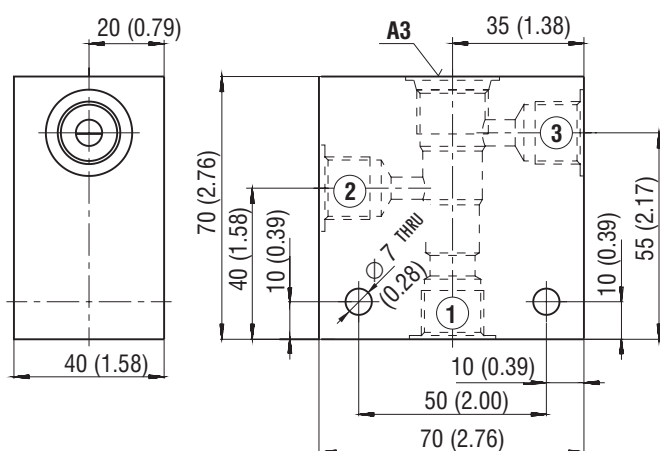
Cavity	Connecting thread	Material	Ordering code	Pressure bar (PSI)	Weight kg (lbs)	Dimensions	Ordering No.
<b>QG2</b> M22x1.5 2-Way	G3/8	Cast iron	SB-QG2-0103MGN-P	350 (5080)	1.17 (2.58)	Page 15	15989600
			SB-QG2-0103PMGN-P	350 (5080)	1.17 (2.58)		15989400
			SB-QG2-0103PMGV-P	350 (5080)	1.17 (2.58)		22950200
			SB-QG2-0103MGV-P	350 (5080)	1.17 (2.58)		22950400
			SB-QG2-0103G-P	350 (5080)	1.05 (2.31)		15653400
	SAE8, 3/4-16	Cast iron	SB-QG2-0104MGN-P	350 (5080)	1.17 (2.58)		15990000
			SB-QG2-0104MGV-P	350 (5080)	1.17 (2.58)		22939400
			SB-QG2-0104PMGN-A	350 (5080)	1.17 (2.58)		18748500
			SB-QG2-0104PMGN-P	350 (5080)	1.17 (2.58)		15989800
			SB-QG2-0104PMGV-P	350 (5080)	1.17 (2.58)		22939200
	G1/2	Cast iron	SB-QG2-0104G-P	350 (5080)	1.00 (2.20)		15653600
			SB-QG2-0105MGN-P	350 (5080)	1.17 (2.58)		15989700
			SB-QG2-0105PMGN-P	350 (5080)	1.17 (2.58)		15989500
			SB-QG2-0105PMGV-P	350 (5080)	1.17 (2.58)		22950300
			SB-QG2-0105MGV-P	350 (5080)	1.17 (2.58)		22950500
	SAE10, 7/8-14	Cast iron	SB-QG2-0105G-P	350 (5080)	1.00 (2.20)		15653500
			SB-QG2-0106MGN-P	350 (5080)	1.17 (2.58)		15990100
			SB-QG2-0106MGV-P	350 (5080)	1.17 (2.58)		22939500
			SB-QG2-0106PMGV-P	350 (5080)	1.17 (2.58)		22939300
			SB-QG2-0106PMGN-P	350 (5080)	1.17 (2.58)		15989900
<b>W3, X3</b> D20, 3-Way	G3/8	Aluminium	SB-W3-0103AL	250 (3626)	0.56 (1.23)	Page 15	18737300
	SAE8, 3/4-16		SB-W3-0104AL	250 (3626)	0.56 (1.23)		30945900
<b>Y3</b> D17, 3-Way	G3/8	Aluminium	SB-Y3-0103AL	250 (3626)	0.55 (1.21)	Page 15	18737200
<b>QK2,</b> M27x2 2-Way	G3/4	Cast iron	SB-QK2-0107MGN-P	350 (5080)	2.70 (5.95)	Page 16	15996300
			SB-QK2-0107MGN-A	350 (5080)	2.70 (5.95)		24510200
			SB-QK2-0107MGV-P	350 (5081)	2.70 (5.95)		22976300
			SB-QK2-0107PMGN-P	350 (5080)	2.70 (5.95)		15996500
			SB-QK2-0107PMGV-A	350 (5080)	2.70 (5.95)		19002800
	SAE12, 1-1/16	Cast iron	SB-QK2-0107PMGV-P	350 (5080)	2.70 (5.95)		22976600
			SB-QK2-0108PMGN-P	350 (5080)	2.70 (5.95)		15996600
			SB-QK2-0108PMGV-P	350 (5080)	2.70 (5.95)		22980100
<b>QL3</b> M27x2, 2-Way	G3/4	Cast iron	SB-QL3-0107XYMGN-P	350 (5080)	2.70 (5.95)	Page 16	15996400
			SB-QL3-0107XYMGV-P	350 (5080)	2.70 (5.95)		22976400
<b>K2</b> M27x2 2-Way	G1/2	Aluminium	SB-K2-0105AL	250 (3626)	0.40 (0.88)	Page 16	16991600
		Steel	SB-K2-0105ST-A	420 (6091)	1.50 (3.31)		18953400
<b>K3</b> M27x2 2-Way	G1/2	Aluminium	SB-K3-0105AL	250 (3626)	0.65 (1.43)	Page 16	27135800
		Steel	SB-K3-0105ST-A	420 (6091)	1.59 (3.51)		24296400
	SAE10, 7/8-14	Aluminium	SB-K3-0106AL	250 (3626)	0.57 (1.26)		24296300
	G3/4, G1/2	Aluminium	SB-K3-0111AL	250 (3626)	0,87 (1.92)		42505300
		Steel	SB-K3-0111ST-B	420 (6091)	2,39 (5.27)		42499100
<b>T3</b> M38x2 3-Way	G1	Aluminium	SB-T3-0109AL	250 (3626)	1.47 (3.24)	On request	27871900
		Steel	SB-T3-0109ST-A	420 (6091)	4.00 (8.82)		27135700
			SB-T3-0209ST-A	420 (6091)	6.20 (13.7)		30547100
<b>RB2</b> M30x1.5 2-Way Valve S, SY	G1	Steel	SB-RB2-0109XYMST-B	420 (6091)	3.98 (8.77)	Page 17	40793100
			SB-RB2-0109PXYMST-B		4.20 (9.26)		40792500
<b>RB3</b> M30x1.5 2-Way Valve SX	G1	Steel	SB-RB3-0109XYMST-B	420 (6091)	4.20 (9.26)	Page 17	40783900
			SB-RB3-0109PXYMST-B		4.18 (9.22)		40777500
<b>Z4</b> 7/8-14 UNF-2B 4-Way	G3/8	Aluminium	SB-Z4-0103AL	250 (3626)	2.14 (4.72)	Page 18	34095800

Body for 2-Way SIC Valve



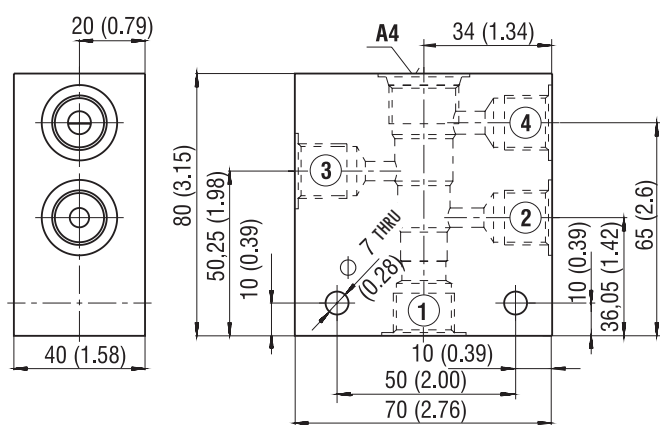
Model A2	Connecting port
	1, 2
SB-A2-0101*	G1/4
SB-A2-0102*	SAE6, 9/16-18
SB-A2-0103*	G3/8
SB-A2-0104*	SAE8, 3/4-16

Body for 3-Way SIC Valve



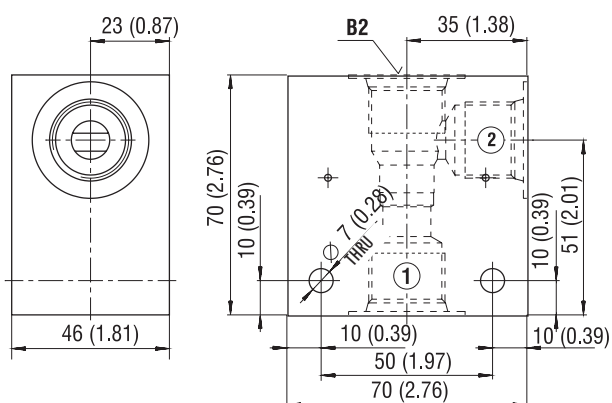
Model A3	Connecting port
	1, 2, 3
SB-A3-0101*	G1/4
SB-A3-0102*	SAE6, 9/16-18
SB-A3-0103*	G3/8
SB-A3-0104*	SAE8, 3/4-16

Body for 4-Way SIC Valve



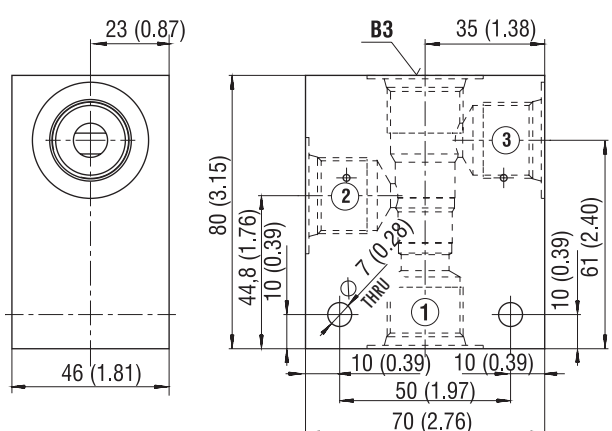
Model A4	Connecting port
	1, 2, 3, 4
SB-A4-0101*	G1/4
SB-A4-0102*	SAE6, 9/16-18
SB-A4-0103*	G3/8
SB-A4-0104*	SAE8, 3/4-16

Body for 2-Way SIC Valve



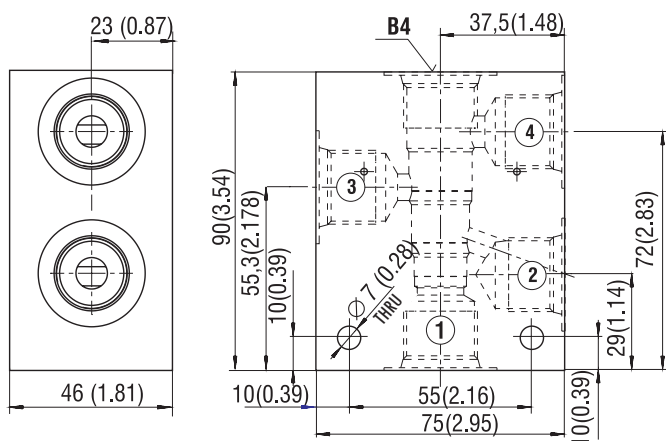
Model B2	Connecting port
	1, 2
SB-B2-0103*	G3/8
SB-B2-0104*	SAE8, 3/4-16
SB-B2-0105*	G1/2
SB-B2-0106*	SAE10, 7/8-14

Body for 3-Way SIC Valve

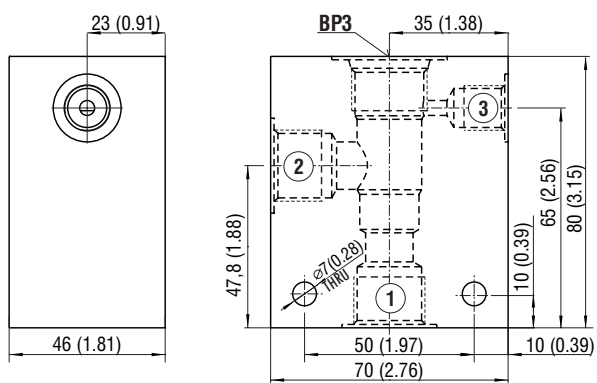


Model B3	Connecting port
	1, 2, 3
SB-B3-0103*	G3/8
SB-B3-0104*	SAE8, 3/4-16
SB-B3-0105*	G1/2
SB-B3-0106*	SAE10, 7/8-14

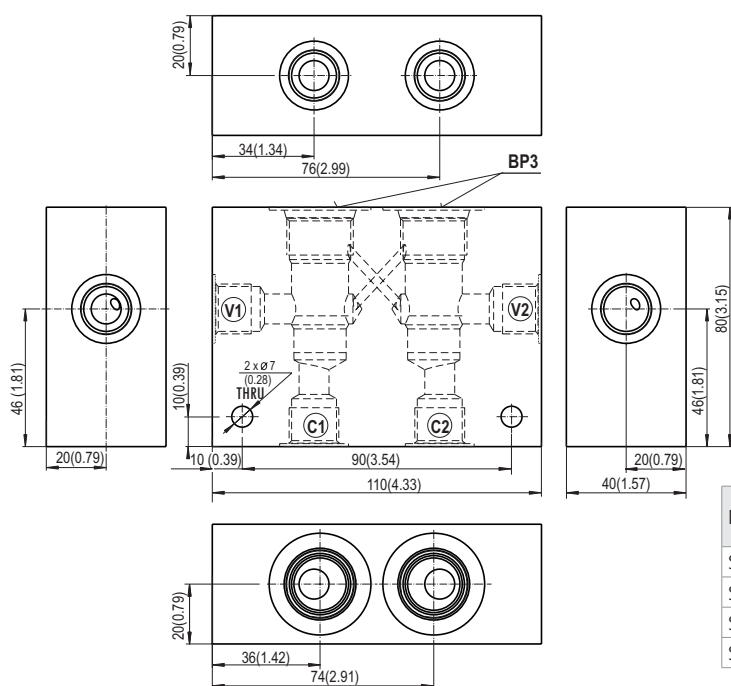
Body for 4-Way SIC Valve



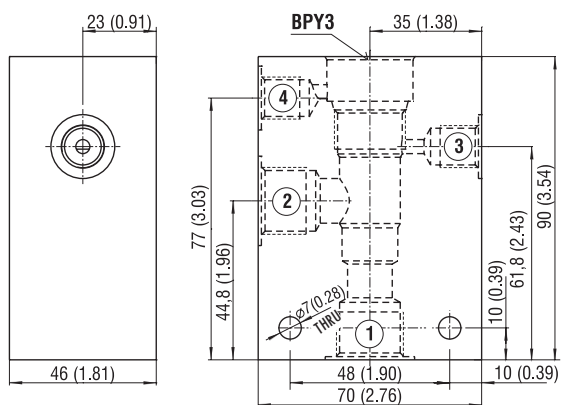
Model B4	Connecting port
	1, 2, 3, 4
SB-B4-0103*	G3/8
SB-B4-0104*	SAE8, 3/4-16
SB-B4-0105*	G1/2
SB-B4-0106*	SAE10, 7/8-14

**Body for 3-Way SIC Valve**


Model BP3	Connecting port	
	1, 2	3
SB-BP3-0103*	G3/8	G1/4
SB-BP3-0104*	SAE8, 3/4-16	SAE6, 9/16-18
SB-BP3-0105*	G1/2	G1/4
SB-BP3-0106*	SAE10, 7/8-14	SAE6, 9/16-18

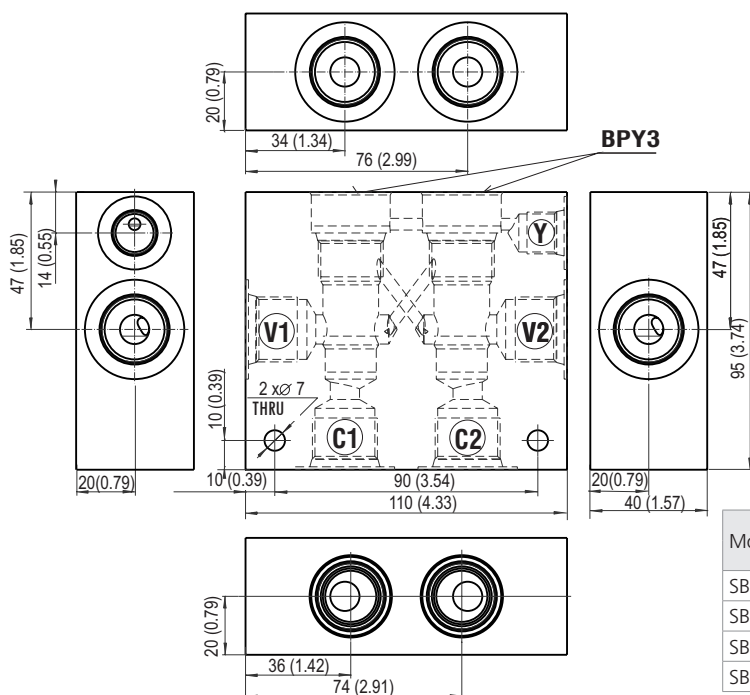
**Body for 3-Way SIC Valve - Body configuration 02**


Model BP3	Connecting port	
	V1, V2, C1, C2	
SB-BP3-0203*	G3/8	
SB-BP3-0204*	SAE8, 3/4-16	
SB-BP3-0205*	G1/2	
SB-BP3-0206*	SAE10, 7/8-14	

**Body for 4-Way SIC Valve**


Model BPY3	Connecting port	
	1, 2	3, 4
SB-BPY3-0103*	G3/8	G1/4
SB-BPY3-0104*	SAE8, 3/4-16	SAE6, 9/16-18
SB-BPY3-0105*	G1/2	G1/4
SB-BPY3-0106*	SAE10, 7/8-14	SAE6, 9/16-18

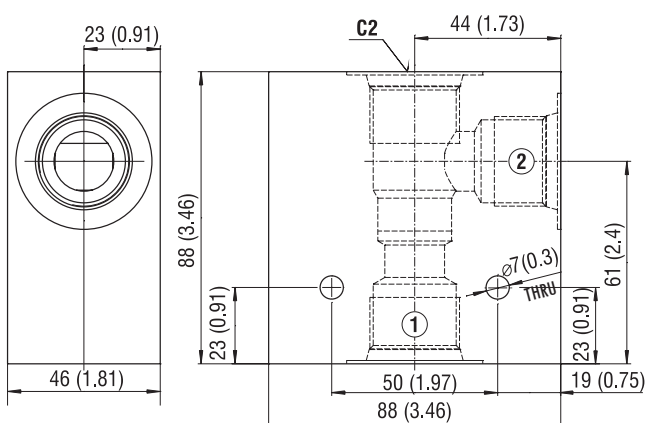
Body for 4-Way SIC Valve - Body configuration 02



Model BPY3	Connecting port	
	V1, V2, C1, C2	Y
SB-BPY3-0203*	G3/8	G1/4
SB-BPY3-0204*	SAE8, 3/4-16	SAE6, 9/16-18
SB-BPY3-0205*	G1/2	G1/4
SB-BPY3-0206*	SAE10, 7/8-14	SAE6, 9/16-18

**C2 - 1-1/16-12 UN-2B**

Body for 2-Way SIC Valve

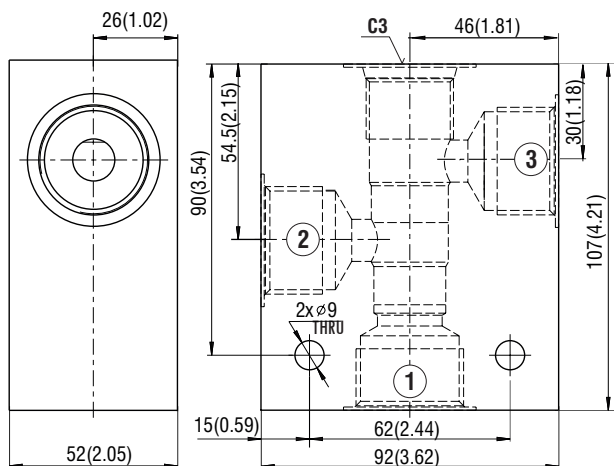


Model C2	Connecting port	
	1, 2	
SB-C2-0108*	SAE12, 1-1/16-12	

**C3 - 1-1/16-12 UN-2B**

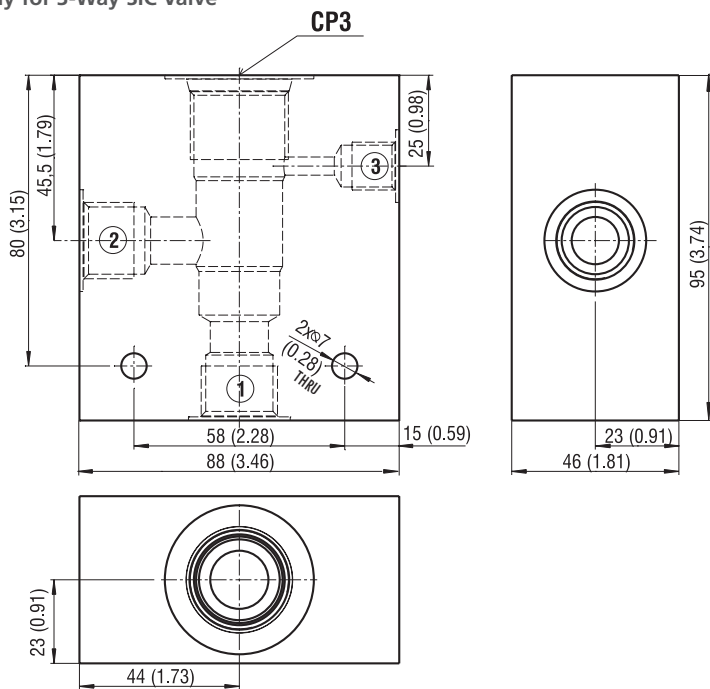
Dimensions in millimeters (inches)

Body for 3-Way SIC Valve



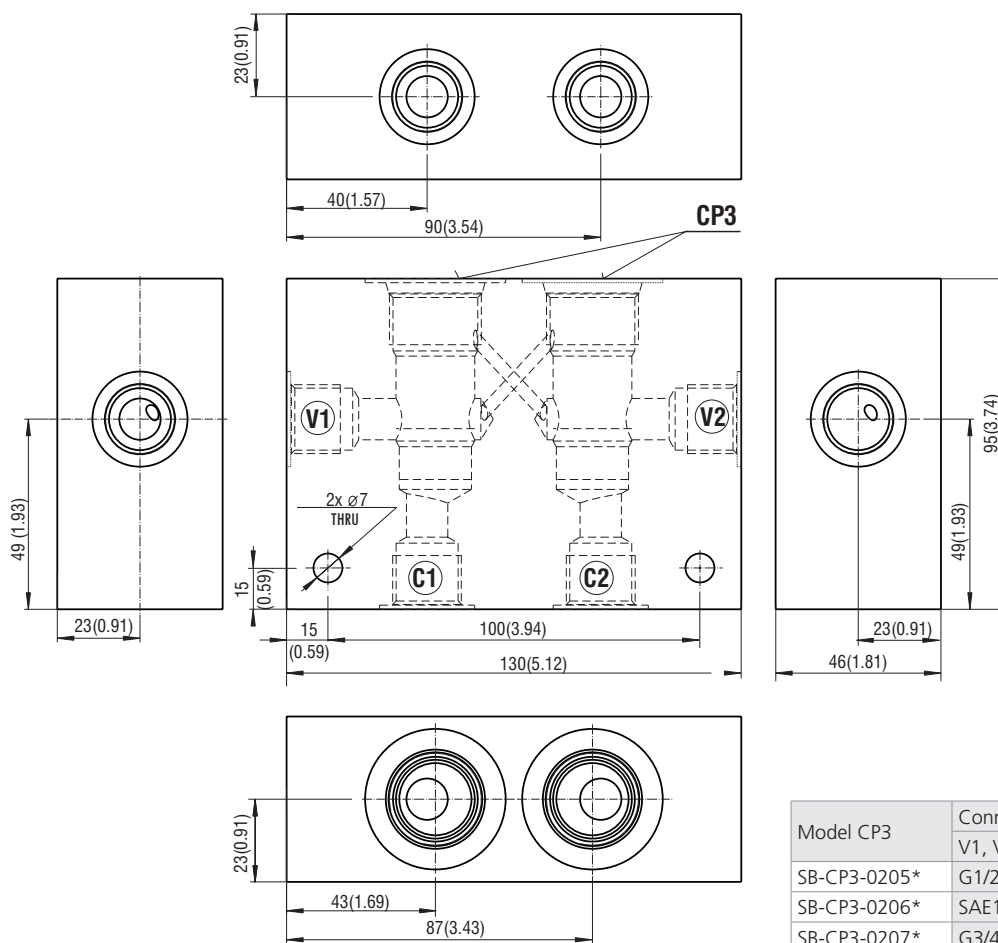
Model C3	Connecting port	
	1, 2, 3	
SB-C3-0107*	G3/4	
SB-C2-0108*	SAE12, 1-1/16-12	
SB-C3-0109*	G1	
SB-C3-0110*	SAE16, 1-5/16-12	

Body for 3-Way SIC Valve



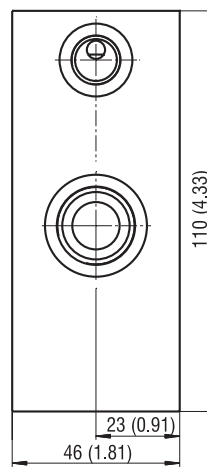
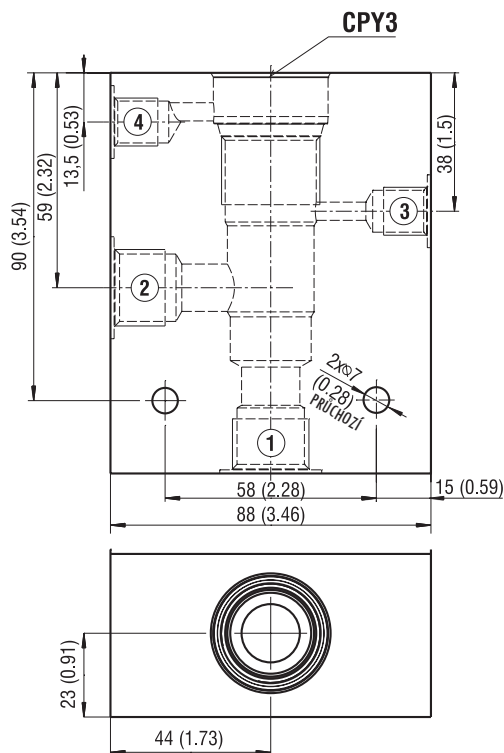
Model CP3	Connecting port	
	1, 2	3
SB-CP3-0105*	G1/2	G1/4
SB-CP3-0106*	SAE10, 7/8-14	SAE6, 9/16-18
SB-CP3-0107*	G3/4	G1/4
SB-CP3-0108*	SAE12, 1-1/16-12	SAE6, 9/16-18

Body for 3-Way SIC Valve - Body configuration 02



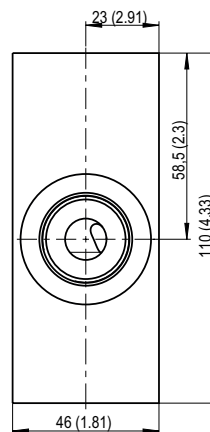
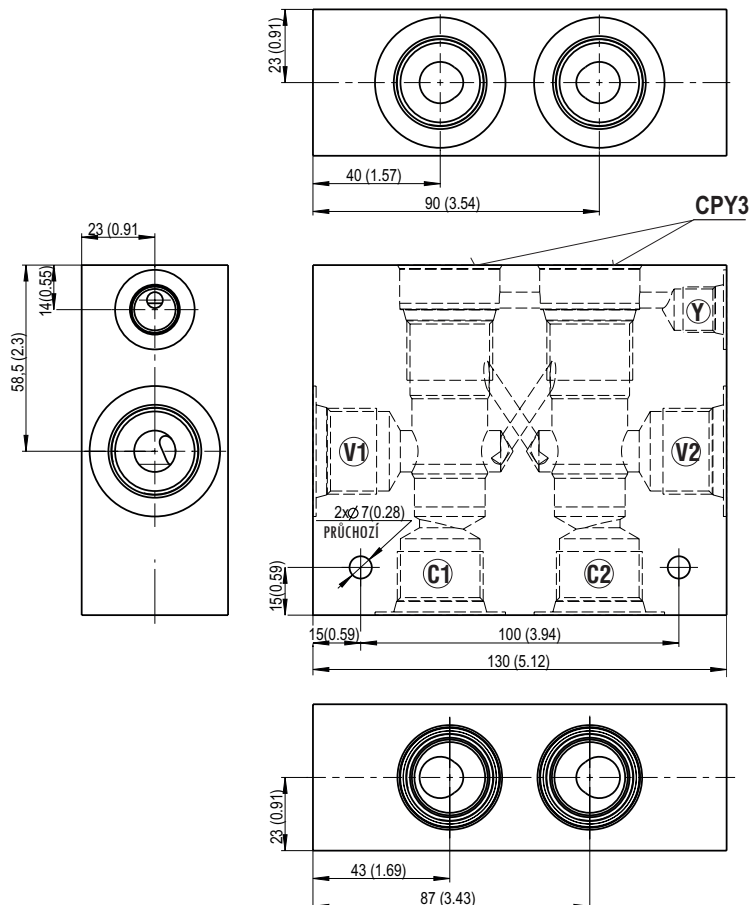
Model CP3	Connecting port	
	V1, V2, C1, C2	
SB-CP3-0205*	G1/2	
SB-CP3-0206*	SAE10, 7/8-14	
SB-CP3-0207*	G3/4	
SB-CP3-0208*	SAE12, 1-1/16	

Body for 4-Way SIC Valve



Model CPY3	Connecting port	
	1, 2	3, 4
SB-CPY3-0105*	G1/2	G1/4
SB-CPY3-0106*	SAE10, 7/8-14	SAE6, 9/16-18
SB-CPY3-0107*	G3/4	G1/4
SB-CPY3-0108*	SAE12, 1-1/16-12	SAE6, 9/16-18

Body for 4-Way SIC Valve - Body configuration 02

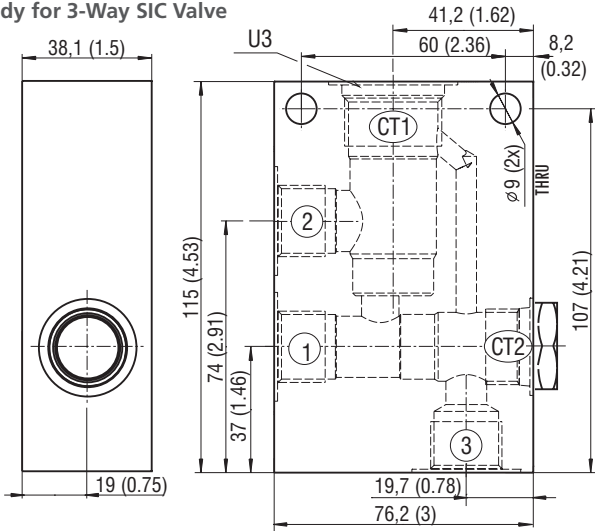
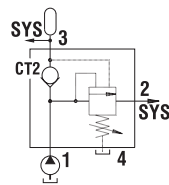
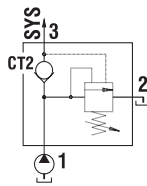
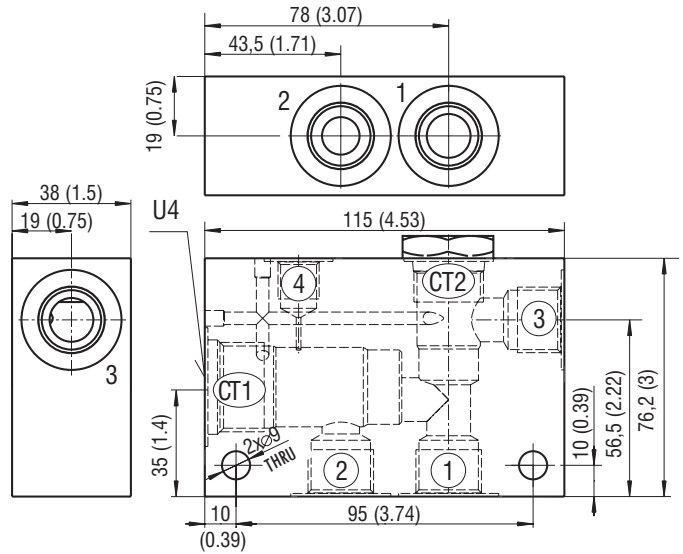


Model CPY3	Connecting port	
	V1, V2, C1, C2	Y
SB-CPY3-0205*	G1/2	G1/4
SB-CPY3-0206*	SAE10, 7/8-14	SAE6, 9/16-18
SB-CPY3-0207*	G3/4	G1/4
SB-CPY3-0208*	SAE12, 1-1/16-12	SAE6, 9/16-18



**U3, U4 - 1-1/8-12 UNF-2B**

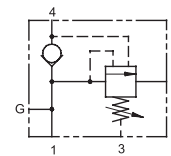
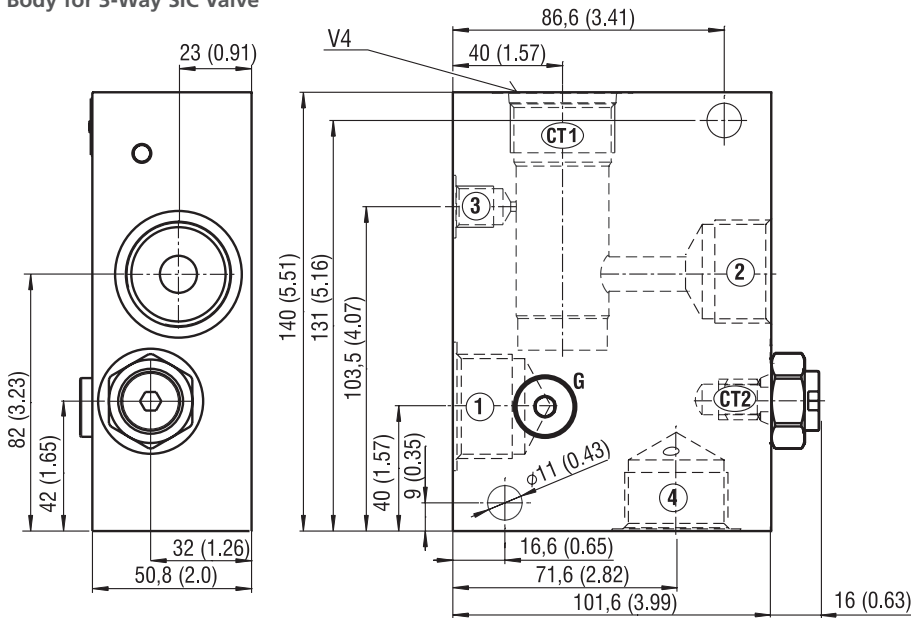
Dimensions in millimeters (inches)

**Body for 3-Way SIC Valve**

**Body for 4-Way SIC Valve**


Model U3, U4	Connecting port	
	1, 2, 3	4
SB-U3-0105*	G1/2	-
SB-U3-0106*	SAE10, 7/8-14	-
SB-U4-0105*	G1/2	G1/4
SB-U4-0106*	SAE10, 7/8-14	SAE6, 9/16-18

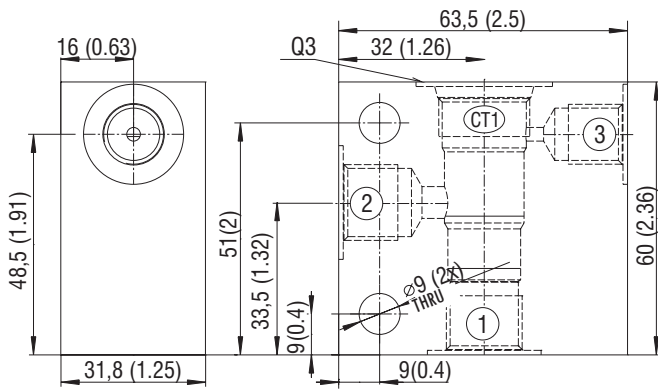
**V4 - 1-5/16-12 UN-2B**

Dimensions in millimeters (inches)

**Body for 3-Way SIC Valve**


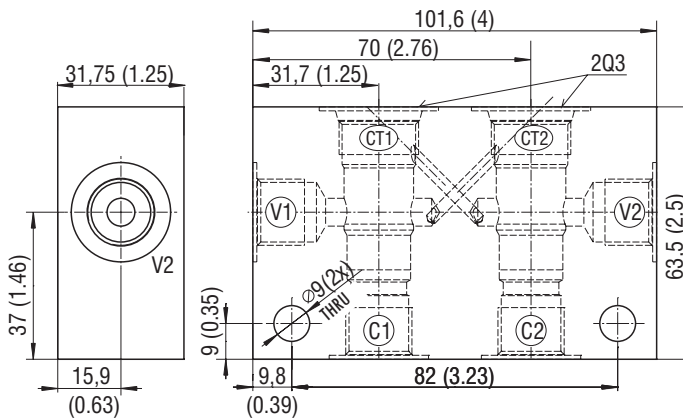
Model V4	Connecting port	
	1, 2, 4	3, G
SB-V4-0109*	G1	G1/4

**Body for 3-Way SIC Valve - Body configuration 01**



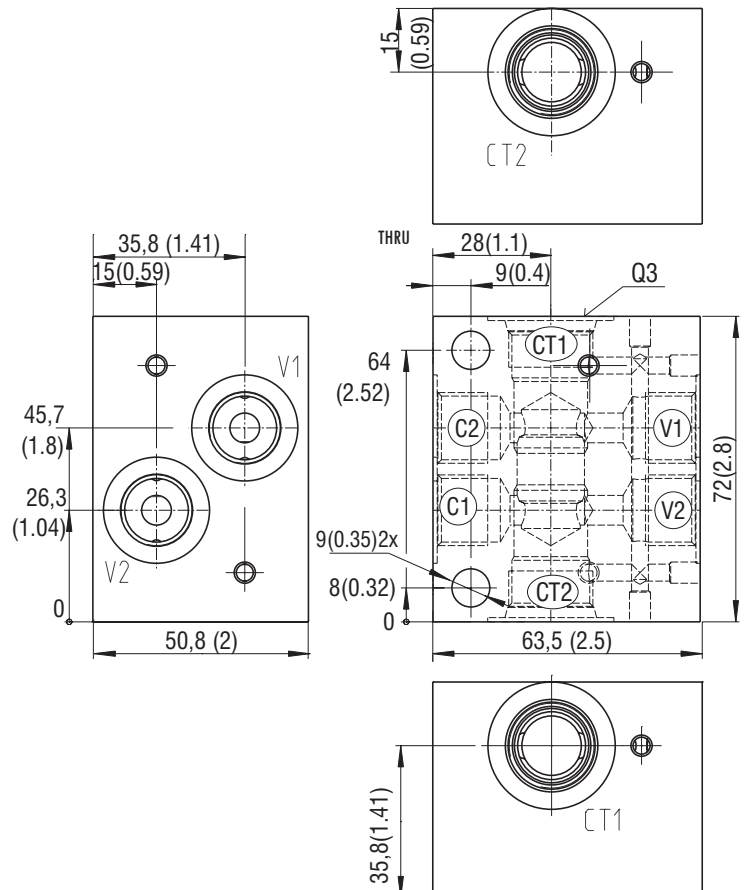
Model Q3	Connecting port	
	1, 2	3
SB-Q3-0103*	G3/8	G1/4
SB-Q3-0104*	SAE8, 3/4-16	SAE6, 9/16-18

**Body for 3-Way SIC Valve - Body configuration 02**



Model Q3	Connecting port	
	C1, C2, V1, V2	
SB-Q3-0203*	G3/8	
SB-Q3-0204*	SAE8, 3/4-16	

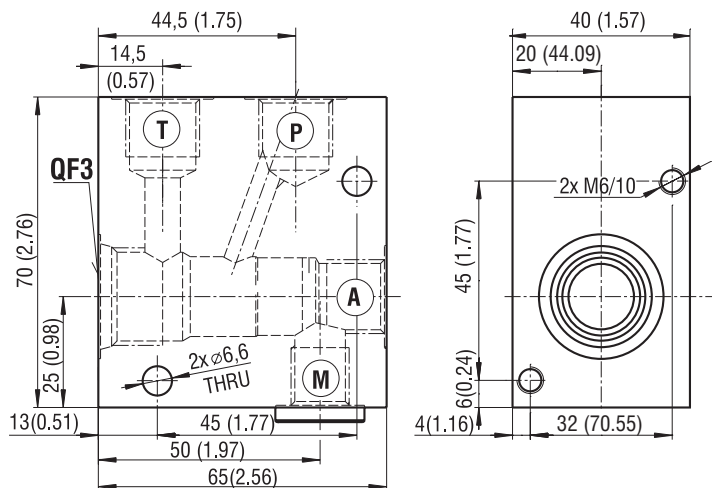
**Body for 3-Way SIC Valve - Body configuration 03**



Model Q3	Connecting port	
	C1, C2, V1, V2	
SB-Q3-0303*	G3/8	

**QF3 - M22x1.5**

Dimensions in millimeters (inches)

**Body for 3-Way SIC Valve**


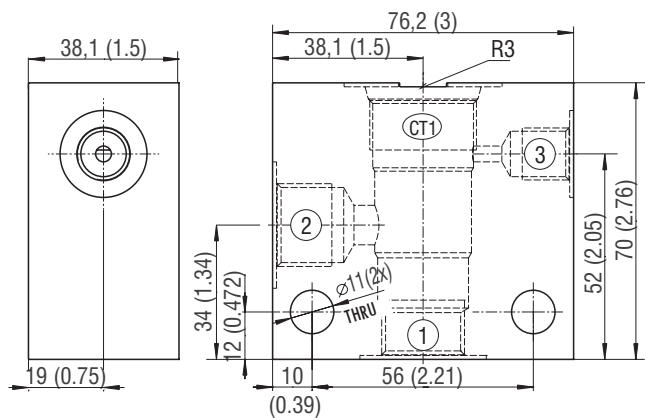
**i** The steel end plugs are screwed into port M. The sealing material on these end plugs is either NBR or Viton, see the ordering code.

Model QF3	Former name
SB-QF3-0103G*	RRA1-06

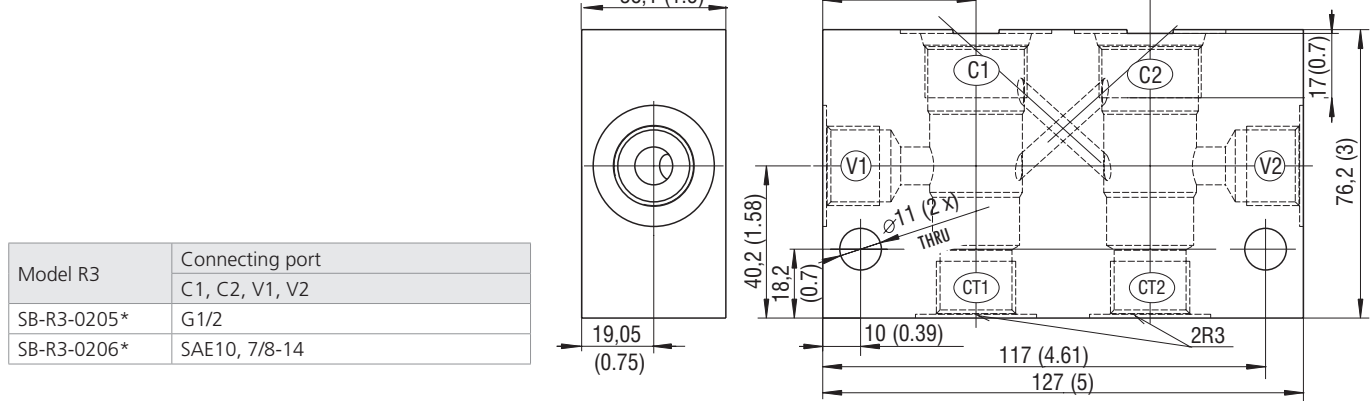
Model QF3	Connecting port	
	P, T, A	M
SB-QF3-0103G*	G3/8	G1/4

**R3 - M27x1.5**

Dimensions in millimeters (inches)

**Body for 3-Way SIC Valve - Body configuration 01**


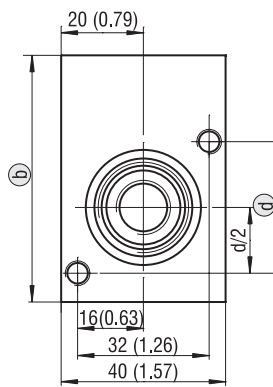
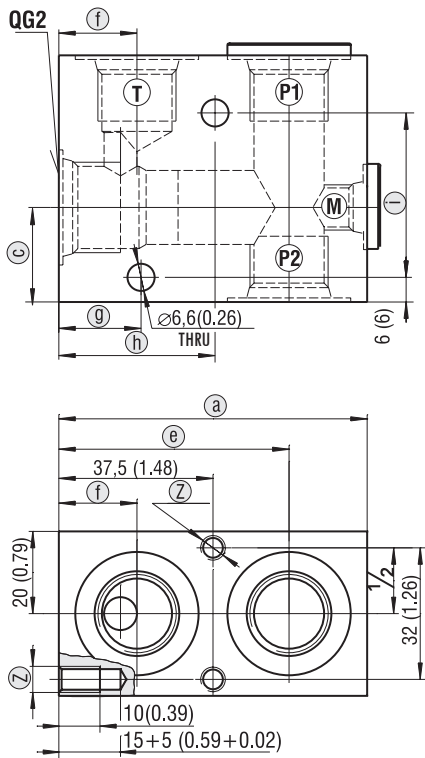
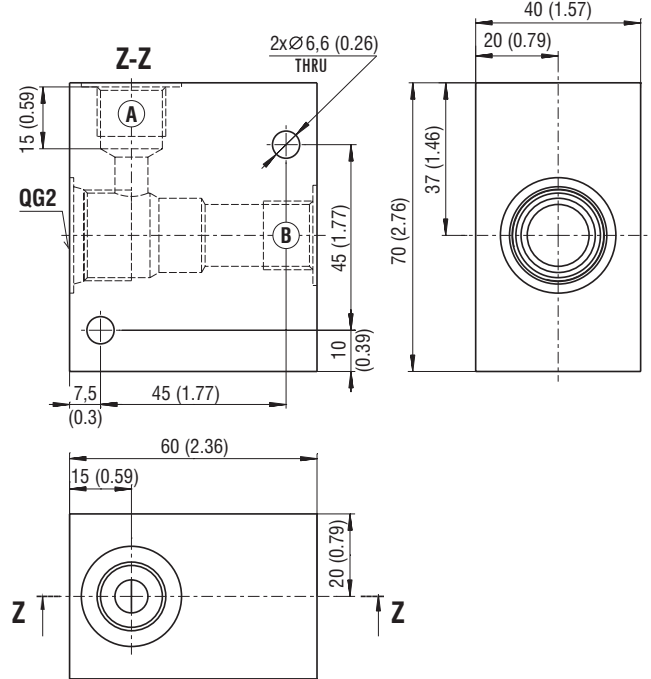
Model R3	Connecting port	
	1, 2	3
SB-R3-0105*	G1/2	G1/4
SB-R3-0106*	SAE10, 7/8-14	SAE6, 9/16-18

**Body for 3-Way SIC Valve - Body configuration 02**


Model R3	Connecting port
	C1, C2, V1, V2
SB-R3-0205*	G1/2
SB-R3-0206*	SAE10, 7/8-14

**QG2 - M22x1.5**

Dimensions in millimeters (inches)

**Body for 2-Way SIC Valve**
**Body with gauge port M**

**Body without gauge port M**


**i** The steel end plugs are screwed into ports M and P1. The sealing material on these end plugs is either NBR or Viton, see the ordering code.

**Body with gauge port M**

Model QG2	Former name	Connecting thread	Model QG2	Former name	Connecting thread
SB-QG2-0103PMG*	RA1-06	G3/8	SB-QG2-0105PMG*	RA2-06	G1/2
SB-QG2-0103MG*	RB1-06		SB-QG2-0105MG*	RB2-06	
SB-QG2-0104PMG*	RA3-06	SAE8, 3/4-16	SB-QG2-0106PMG*	RA4-06	SAE10, 7/8-14
SB-QG2-0104MG*	RB3-06		SB-QG2-0106MG*	RB4-06	

**Body without gauge port M**

Model QG2	Former name	Connecting thread
SB-QG2-0103G*	R1-ROE3	G3/8
SB-QG2-0104G*	R3-ROE3	SAE8, 3/4-16
SB-QG2-0105G*	R2-ROE3	G1/2
SB-QG2-0106G*	R4-ROE3	SAE10, 7/8-14

**Body with gauge port M**

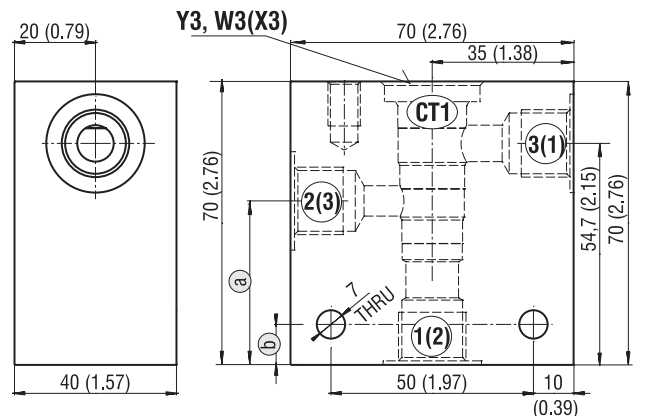
Model QG2	Connecting port					Dimensions in mm (in)									
	P1	P2	T	M	Z	a	b	c	d	e	f	g	h	i	
SB-QG2-0103PMG*	G3/8	G3/8	G3/8	G1/4	M6-6H	60 (2.36)	70 (2.76)	33 (1.30)	45 (1.77)	39 (1.54)	12.5 (0.49)	7.5 (0.30)	52.5 (2.07)	45 (1.77)	
SB-QG2-0103MG*	G3/8	-	G3/8	G1/4	M6-6H	60 (2.36)	70 (2.76)	33 (1.30)	60 (2.36)	38 (1.50)	15 (0.59)	7.5 (0.30)	38 (1.50)	45 (1.77)	
SB-QG2-0104PMG*	SAE8	SAE8	SAE8	SAE4	1/4-20UNC-2B	75 (2.95)	60 (2.36)	33 (1.30)	32 (1.26)	56 (2.20)	19 (0.75)	20 (0.78)	38 (1.50)	40 (1.57)	
SB-QG2-0104MG*	SAE8	-	SAE8	SAE4	1/4-20UNC-2B	60 (2.36)	60 (2.36)	23 (0.91)	32 (1.26)	40 (1.57)	19 (0.75)	20 (0.78)	38 (1.50)	40 (1.57)	
SB-QG2-0105PMG*	G1/2	G1/2	G1/2	G1/4	M6-6H	70 (2.76)	70 (2.76)	33 (1.30)	45 (1.77)	46 (1.81)	14 (0.55)	18 (0.70)	63 (2.48)	45 (1.77)	
SB-QG2-0105MG*	G1/2	-	G1/2	G1/4	M6-6H	60 (2.36)	70 (2.76)	33 (1.30)	45 (1.77)	38 (1.50)	16 (0.63)	7.5 (0.30)	38 (1.50)	45 (1.77)	
SB-QG2-0106PMG*	SAE10	SAE10	SAE10	SAE4	1/4-20UNC-2B	75 (2.95)	60 (2.36)	23 (0.91)	32 (1.26)	56 (2.20)	19 (0.75)	20 (0.79)	38 (1.50)	40 (1.57)	
SB-QG2-0106MG*	SAE10	-	SAE10	SAE4	1/4-20UNC-2B	60 (2.36)	60 (2.36)	23 (0.91)	32 (1.26)	40 (1.57)	19 (0.75)	20 (0.79)	38 (1.50)	40 (1.57)	

**Y3, W3 (X3) - M27x2**

Dimensions in millimeters (inches)

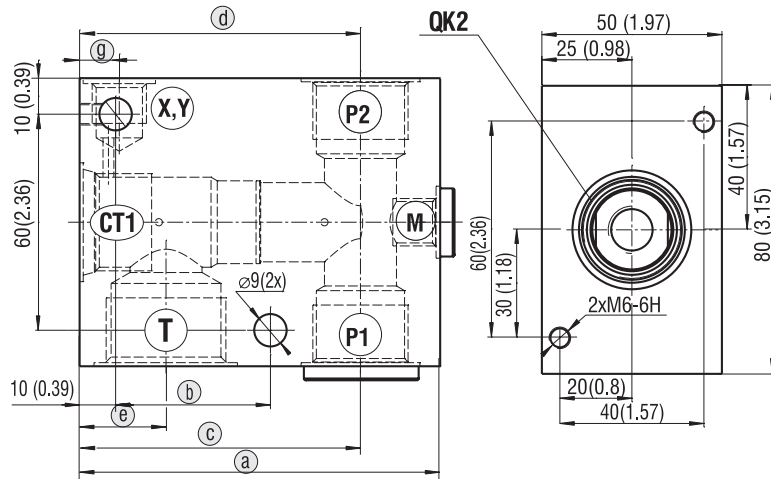
**Body for 3-Way SIC Valve**

Model	Connecting port 1, 2, 3	Dimensions in mm (in)	
		a	b
SB-Y3-0103*	G3/8	29.5 (1.16)	10 (0.39)
SB-W3-0103*	G3/8	37.7 (1.48)	10 (0.39)
SB-W3-0104*	SAE8, 3/4-16	37.7 (1.48)	20 (0.79)
SB-X3-0103*	G3/8	37.7 (1.48)	10 (0.39)
SB-X3-0104*	SAE8, 3/4-16	37.7 (1.48)	20 (0.79)



**QK2, QL3 - M22x1.5**

Dimensions in millimeters (inches)

**Body for 2(3)-Way SIC Valve**


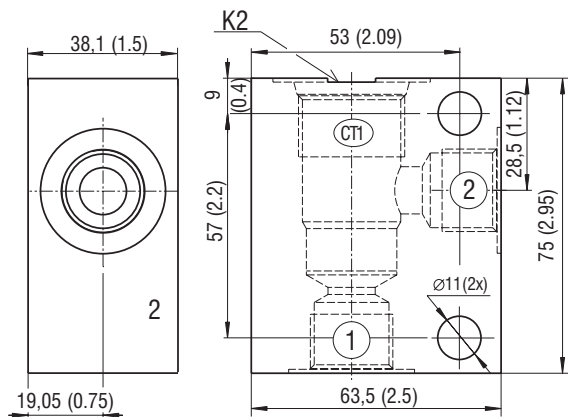
The steel end plugs are screwed into ports M and P1. The sealing material on these end plugs is either NBR or Viton, see the ordering code.

Model	Former nam	Connecting thread
SB-QK2-0107PMG*	RA2-10	G3/4
SB-QK2-0107PMG*	RB2-10	
SB-QK2-0108PMG*	RA3-10	SAE12, 1-1/16
SB-QL3-0107XYMG*	RC2-10	G3/4

Model	Connecting port					Dimensions in mm (in)					
	P1	P2	T	M	X, Y	a	b	c	d	e	g
SB-QK2-0107PMG*	G3/4	G3/4	G1	G1/4	-	100 (3.94)	43 (1.69)	78 (3.07)	78 (3.07)	24 (0.94)	-
SB-QK2-0108PMG*	SAE12	SAE12	SAE16	SAE4	-	100 (3.94)	43 (1.69)	78 (3.07)	78 (3.07)	24 (0.94)	-
SB-QK2-0107MG*	G3/4	-	G1	G1/4	-	90 (3.54)	70 (2.76)	68 (2.68)	-	24 (0.94)	-
SB-QL3-0107XYMG*	G3/4	-	G1	G1/4	X-G1/4	100 (3.94)	70 (2.76)	68 (2.68)	-	35 (1.38)	11 (0.43)

**K2 - M27x2**

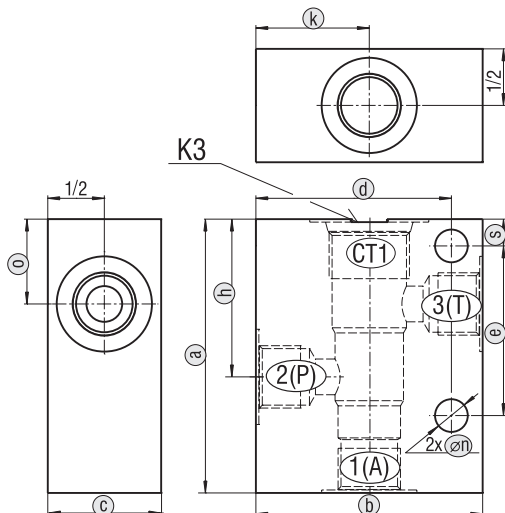
Dimensions in millimeters (inches)

**Body for 3-Way SIC Valve**


Model K2	Connecting port
	1, 2
SB-K2-0105*	G1/2
SB-K2-0106*	SAE10, 7/8-14

**K3 - M27x2**

Dimensions in millimeters (inches)

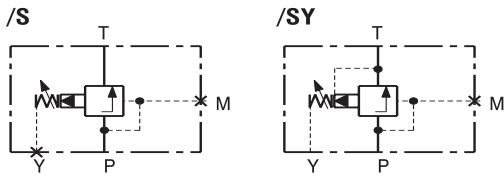
**Body for 3-Way SIC Valve**


Dimensions in mm (in)	a	b	c	d	e	s	o	h	k	n
SB-K3-0105*	92	76,2	38	65,7	57	9	28,5	53	38,1	10
SB-K3-0106*	(3.62)	(3.00)	(1.49)	(2.59)	(2.24)	(0.35)	(1.12)	(2.09)	(1.50)	(0.39)
SB-K3-0111*	105	80	45	70	85	10	54	24	35	11
	(4.13)	(3.15)	(1.77)	(2.76)	(3.35)	(0.39)	(2.13)	(0.94)	(1.38)	(0.43)

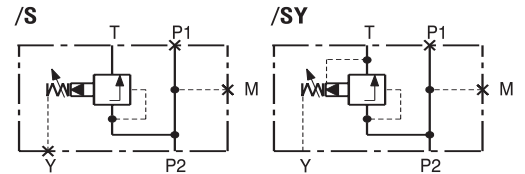
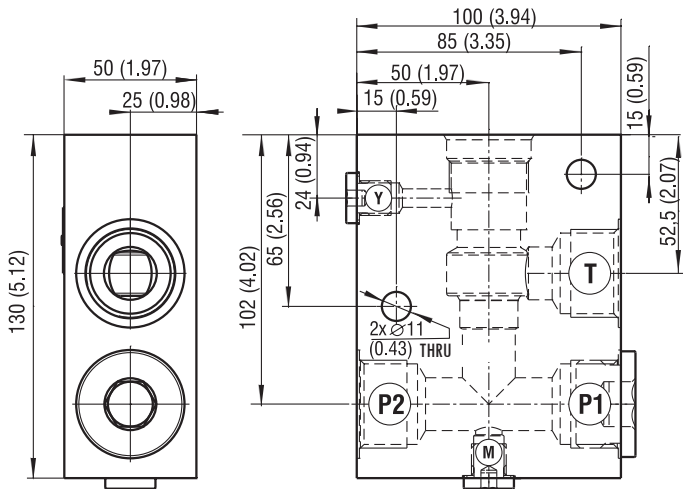
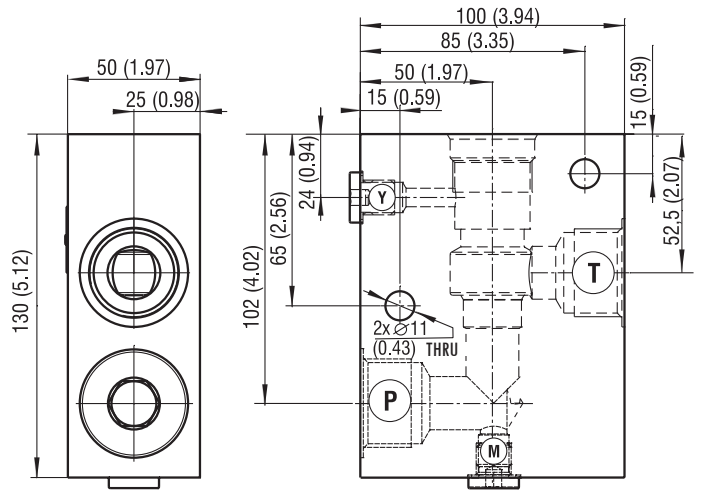
Model K3	Connecting port	
	1, 2 (A, P)	3 (T)
SB-K3-0105*	G1/2	G1/2
SB-K3-0106*	SAE10, 7/8-14	SAE10, 7/8-14
SB-K3-0111*	G3/4	G1/2

**RB2 - M30x1.5**

Dimensions in millimeters (inches)

 Valve VPN1-20/S plug in Y port  
 Valve VPN1-20/SY without a the plug in the Y port


Model RB2	Connecting ports		
	P, T	Y	M
SB-RB2-0109XYMST-B	G1	G1/4	G1/4

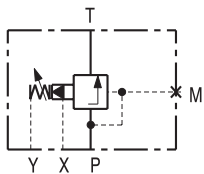


Model RB2	Connecting ports		
	P1, P2, T	Y	M
SB-RB2-0109PXYMST-B	G1	G1/4	G1/4

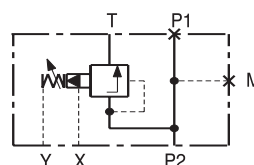
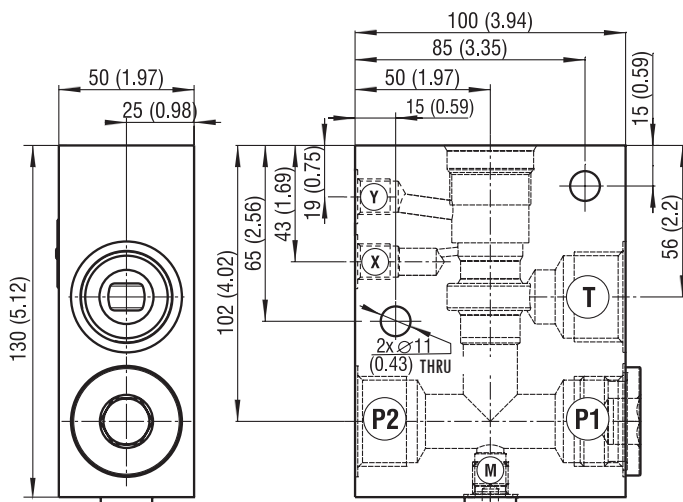
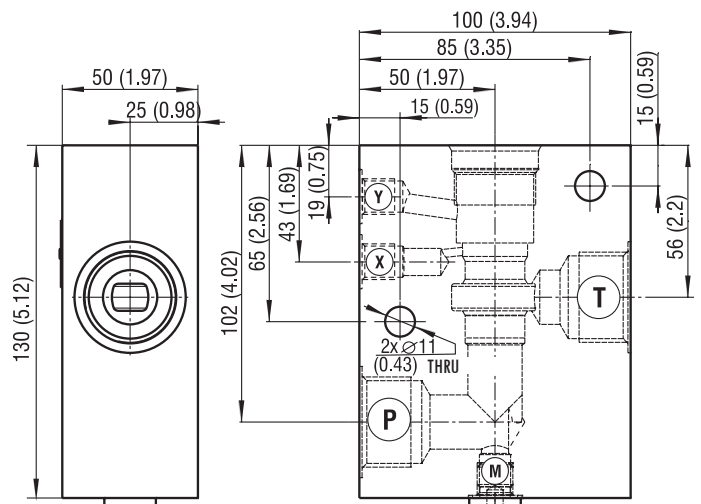
**RB3 - M30x1.5**

Dimensions in millimeters (inches)

Valve VPN1-20/SX without plugs in the X, Y ports

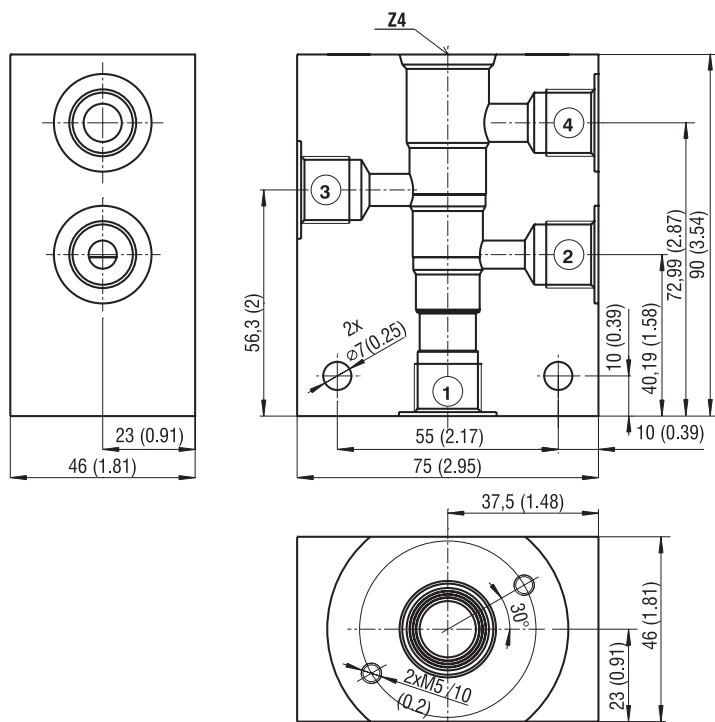


Model RB3	Connecting ports		
	P, T	X, Y	M
SB-RB3-0109XYMST-B	G1	G1/4	G1/4



Model RB3	Connecting ports		
	P1, P2, T	X, Y	M
SB-RB3-0109PXYMST-B	G1	G1/4	G1/4

Body for 4-Way SIC Valve



Model Z4	Connecting port
	1, 2, 3, 4
SB-Z4-0103AL	G3/8