

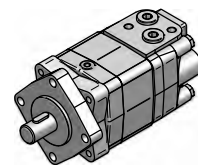
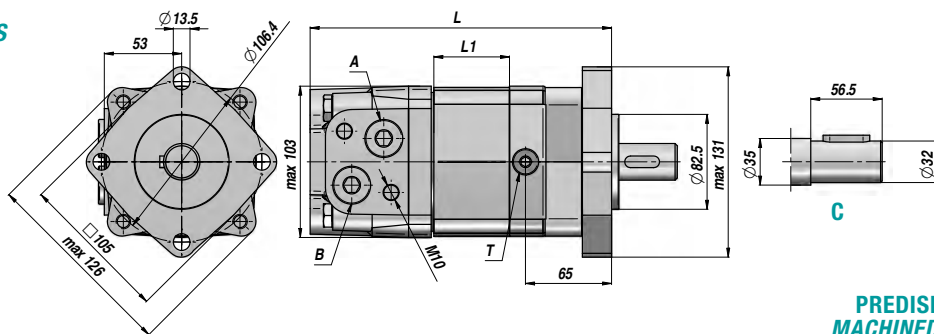
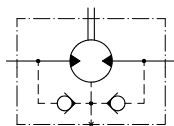
MOTORE "M+S HYDRAULIC" ALBERO CILINDRICO Ø32 FLANGIA "SAE A" - 4 FORI
 "M+S HYDRAULIC" MOTOR PARALLEL SHAFT Ø32 "SAE A" FLANGE - 4 HOLES



MPS/Y (MS/Y)

Standard: CONNESSIONI LATERALI - SIDE PORTS

VALVOLE UNIDIREZIONALI
 INCORPORATE
 BUILT-IN CHECK VALVES



PREDISPOSTO PER IL DRENAGGIO
 MACHINED FOR DRAIN CONNECTION

Codice Code	Tipo Type	cm ³ /giro cm ³ /rev	n. Max giri/min rpm	M Max daNm	Q MAX l/min	P MAX bar			A - B	T	L	L1	kg
						Caduta Drop Δp	Ingresso Inlet	Ritorno Return					
LAVORO CONTINUO - CONTINUOUS WORK													
MPS080NC32	MPS 80 C	80.5	810	24.0	65	210	230	140 *			168	14.0	9,90
MPS100NC32	MPS 100 C	100.0	750	30.5	75	210	230	140 *			171	17.4	10,10
MPS125NC32	MPS 125 C	125.7	600	37.5	75	210	230	140 *			176	21.8	10,40
MPS160NC32	MPS 160 C	159.7	470	49.0	75	210	230	140 *			182	27.8	10,80
MPS200NC32	MPSY 200 C	200.0	375	61.0	75	210	230	140 *			189	34.8	11,20
MPS250NC32	MPSY 250 C	250.0	300	72.0	75	200	230	140 *	1/2"	1/4"	197	43.5	11,70
MPS315NC32	MPSY 315 C	314.9	240	82.5	75	200	230	140 *			209	54.8	12,40
MPS400NC32	MPSY 400 C	397.0	190	86.5	75	160	230	140 *			223	69.4	13,10
MPS475NC32	MPSY 475 C	474.6	160	85.0	75	130	230	140 *			237	82.6	14,10
MPS525NC32	MPSY 525 C	522.7	145	85.0	75	115	230	140 *			229	74.5	14,60
MPS565NC32	MPSY 565 C	564.9	130	85.0	75	105	230	140 *			235	80.2	15,00

* = CON DRENAGGIO - WITH DRAIN

OPTION

CO

OPTION

Q: (Square Mount)

OPTION

E: CONNESSIONI POSTERIORI
REAR PORTS

**PRESSIONE MAX. AL RITORNO SENZA DRENAGGIO
MAX. RETURN PRESSURE WITHOUT DRAIN**

OPTION

K

OPTION

F: SAE A/4 (Oval Mount)

**CARICHI AMMESSI SULL'ALBERO
PERMISSIBLE SHAFT LOADS**

VERSIONI SPECIALI - SPECIAL VERSIONS

W: versione ruota - wheel mount
 B: con freno tamburo - with drum brake
 S/V: versioni corte - short versions